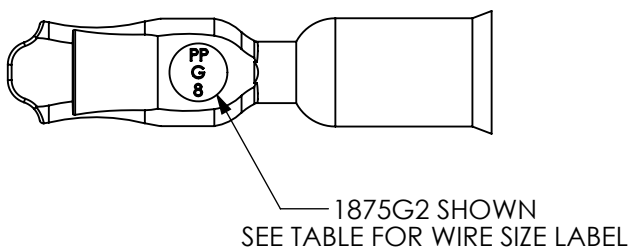
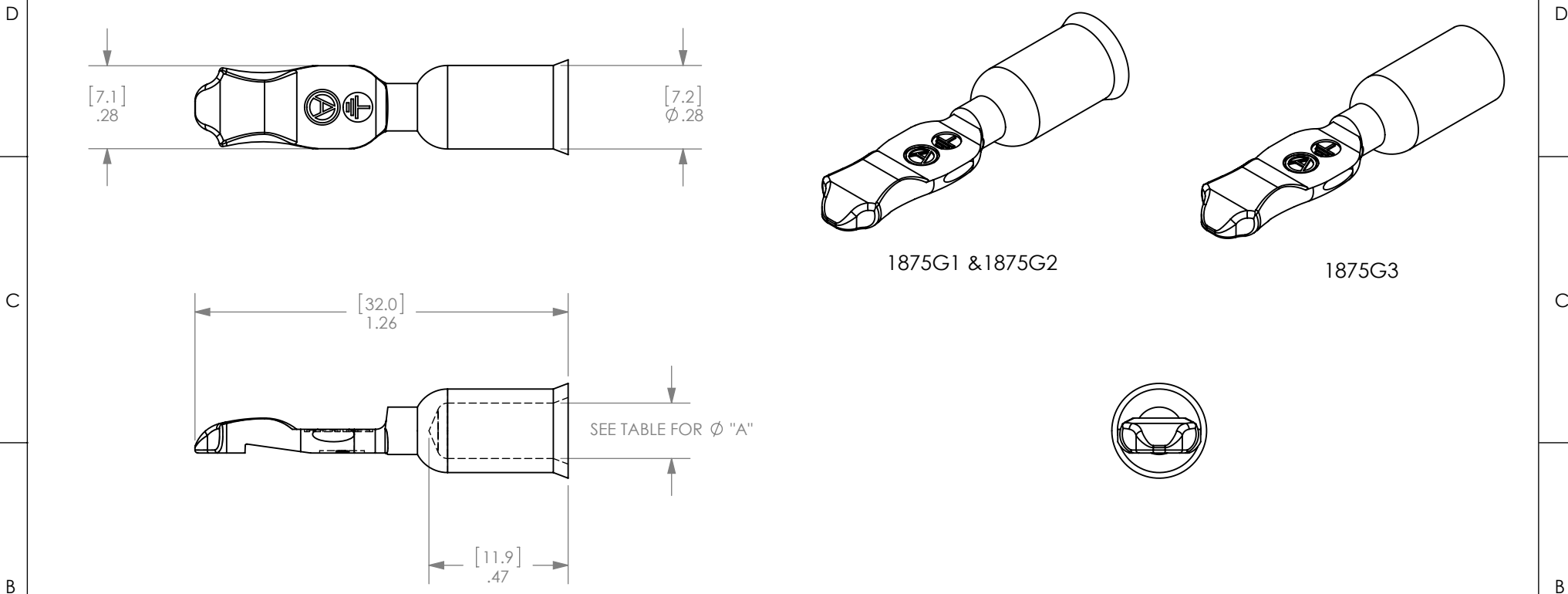


THE INFORMATION CONTAINED IN THIS DRAWING IS THE SOLE PROPERTY OF ANDERSON POWER PRODUCTS. ANY REPRODUCTION IN PART OR WHOLE WITHOUT THE WRITTEN PERMISSION OF ANDERSON POWER PRODUCTS IS PROHIBITED.

Copyright 2014

ANDERSON POWER PRODUCTS RESERVES THE RIGHT TO ALTER PRODUCT TYPES, THEIR TECHNICAL DATA, DIMENSION, STYLE AND ACCESSORIES WITHOUT PRIOR NOTIFICATION.



CATALOG NUMBER		WIRE SIZE (AWG)		DIM "A"	
1875G1		#6		.22 [5.6]	
1875G2		#8		.19[4.8]	
1875G3		#10/#12		.14[3.5]	
DIMENSIONS ARE IN:		INCH [MM]		APPROVALS	
UNLESS OTHERWISE STATED		DRAWN		MC 3/20/2014	
TOLERANCES:		CHECKED		CLY 3/20/2014	
DECIMALS (INCH) DECIMALS (MM) ANGLES		MFG APPRV		LLD 3/20/2014	
.XX ± .02 .X ± .5 ±2°		QC APPRV		HN 3/20/2014	
SURFACE FINISH:		ENG APPRV		NTS 3/21/2014	
MACHINED 128µin [3.2µ]		SIZE		A	
MOLDED 64µin [1.6µ]		DWG NO.		115358S2	
MATERIAL:		REV.		0	
COPPER ALLOY		SCALE		NONE	
FINISH:		CADFILE		04226	
SILVER PLATE		SHEET		1 OF 1	
		-CAD GENERATED DRAWING- DO NOT MANUALLY UPDATE DO NOT SCALE			

REV.	DESCRIPTION	APPRV	DATE
REVISIONS			