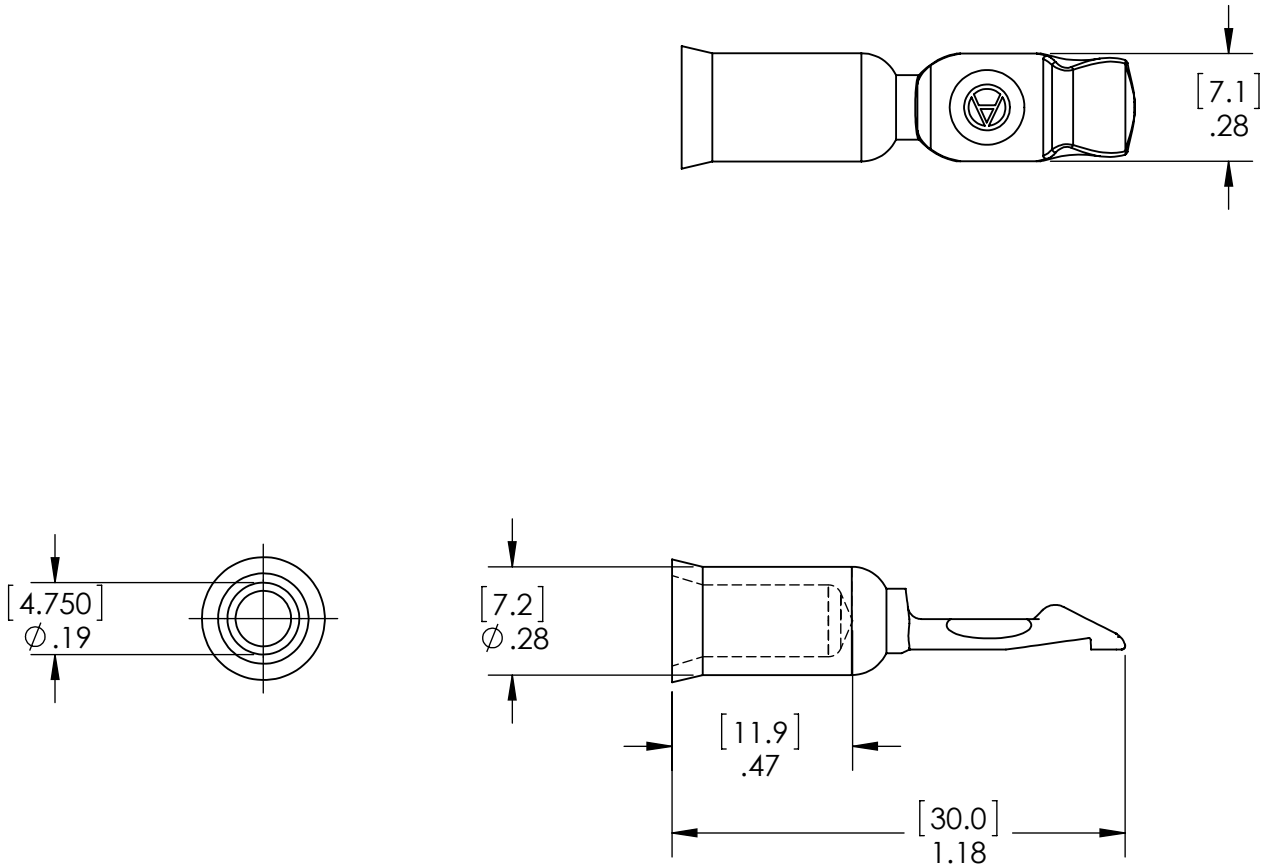


CAT. P/N: 5952



5	ECRN-15243	TWE	9/25/2012
4	ECRN-14452	CHB	6/17/09
3	ECRN-13652	CHB	12/03
2	ECRN-13635	CHB	11/11/03
REV.	DESCRIPTION	APPRV	DATE

REVISIONS

DIMENSIONS ARE IN:		INCH [MM]		APPROVALS		DATE		 <b>ANDERSON POWER PRODUCTS</b>	
UNLESS OTHERWISE STATED:				DRAWN	DMM		9/11/2003		
TOLERANCES:				CHECKED		DJD		11/1/2003	
DECIMALS (INCH)		DECIMALS (MM)		MFG APPRV		DSM		11/1/2003	
.XX ± .02		.X ± .5		QC APPRV		RPO		11/1/2003	
ANGLES		±2°		ENG APPRV		UFN		11/1/2003	
SURFACE FINISH:				MATERIAL:		FINISH:		SIZE	
MACHINED		128µin [3.2µ]		COPPER ALLOY		SILVER PLATE		A	
MOLDED		64µin [1.6µ]						DWG. NO.	
								114155S1	
								REV.	
								5	
 <small>3RD ANGLE PROJECTION</small>						-CAD GENERATED DRAWING- DO NOT MANUALLY UPDATE DO NOT SCALE		SCALE	
						NONE		CAD FILE:	
								03813	
								SHEET	
								1 OF 1	