

THE INFORMATION CONTAINED IN THIS DRAWING IS THE SOLE PROPERTY OF ANDERSON POWER PRODUCTS. ANY REPRODUCTION IN PART OR WHOLE WITHOUT THE WRITTEN PERMISSION OF ANDERSON POWER PRODUCTS IS PROHIBITED.

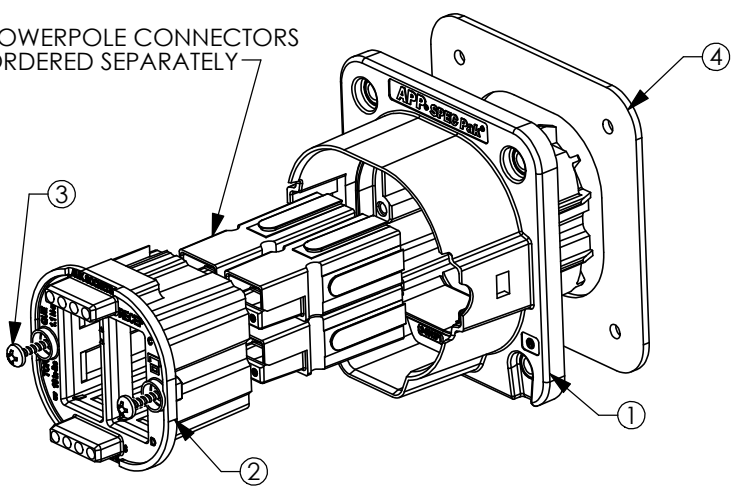
Copyright 2012

ANDERSON POWER PRODUCTS RESERVES THE RIGHT TO ALTER PRODUCT TYPES, THEIR TECHNICAL DATA, DIMENSION, STYLE AND ACCESSORIES WITHOUT PRIOR NOTIFICATION.

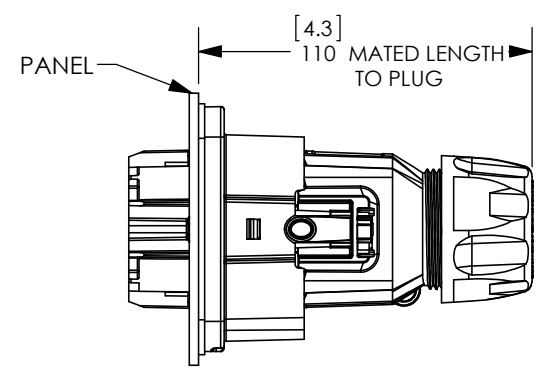
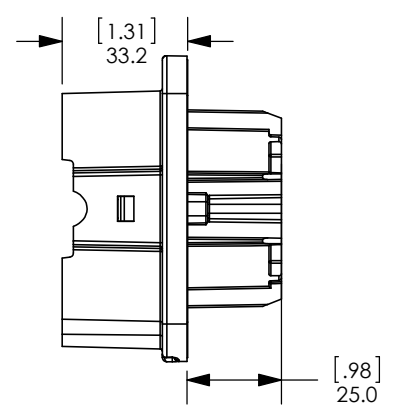
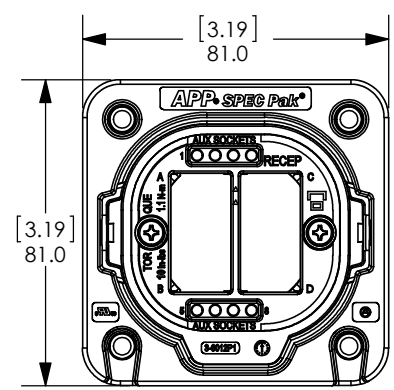
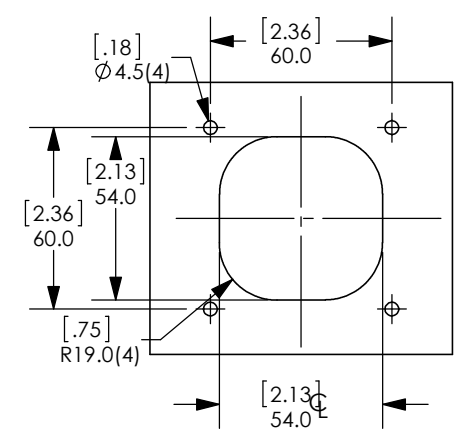
COMPONENTS INCLUDED

ITEM	QTY	DESCRIPTION
1	1	PANEL RECEPTACLE HSG WITH O-RING
2	1	RECEPTACLE HOLDER FOR PP75
3	2	M3.5 SELF-TAPPING SCREWS
4	1	PANEL GASKET

POWERPOLE CONNECTORS ORDERED SEPARATELY



PANEL CUT-OUT



KIT PART NO. SK2-076C04

NOTES:

- MATERIALS:
 - RECEPTACLE HOUSING AND HOLDER- PBT BLACK
 - PANEL GASKET: EPDM- BLACK
- FOR USE WITH PP75 CONTACTS AND HOUSINGS (ORDERED SEPARATELY)
- HOLDER ACCEPTS UP TO EIGHT POWERMOD® SOCKET CONTACTS (ORDERED SEPARATELY®)
- REFER TO ASSEMBLY INSTRUCTIONS (1S6576)
- MOUNTING SCREWS (M4 OR #8) NOT INCLUDED

DIMENSIONS ARE IN:	MM [INCH]	APPROVALS		<p>ANDERSON POWER PRODUCTS</p> <p>TITLE</p> <p>MID POWER SPEC PAK PANEL RECEPTACLE KIT</p>
UNLESS OTHERWISE STATED		DRAWN		
TOLERANCES:		CMS	5/21/2012	
DECIMALS (INCH)	DECIMALS (MM)	ANGLES		
.XX ±.02	.X ±.5	±2°		
SURFACE FINISH:		CHECKED	LLD	5/24/2012
MACHINED	3.2µ [128µin]	MFG APPRV	CHB	5/24/2012
MOLDED	1.6µ [64µin]	QC APPRV	UFN	5/24/2012
MATERIAL:		ENG APPRV	BD	5/24/2012
SEE DATA SHT.				
FINISH:				
		SIZE	AWG NO.	REV.
		A	115160S1	0
		SCALE	CADFILE	SHEET
		NONE	03712	1 OF 1

REV.	DESCRIPTION	APPRV	DATE
REVISIONS			