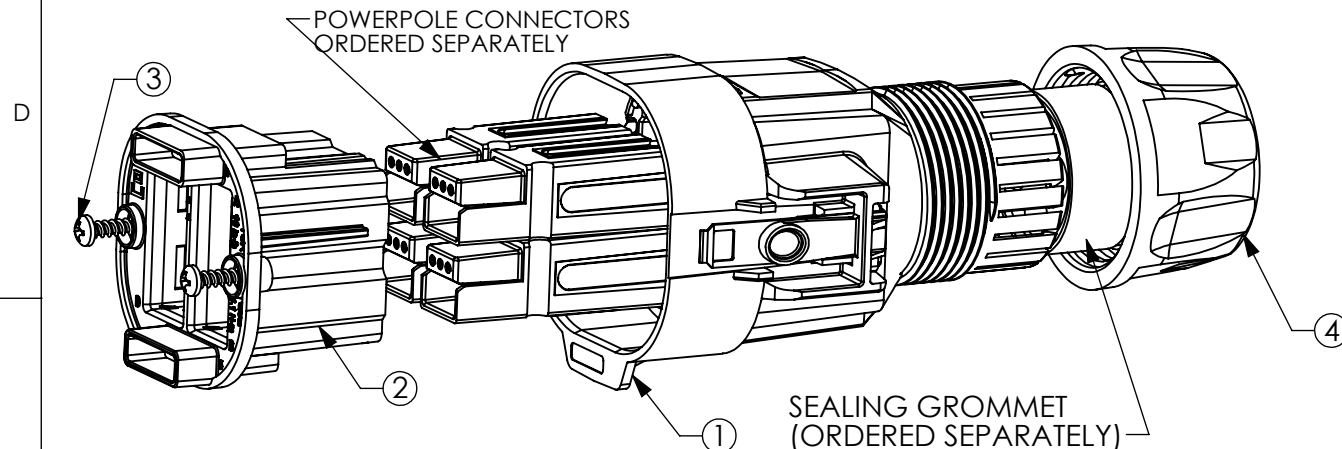


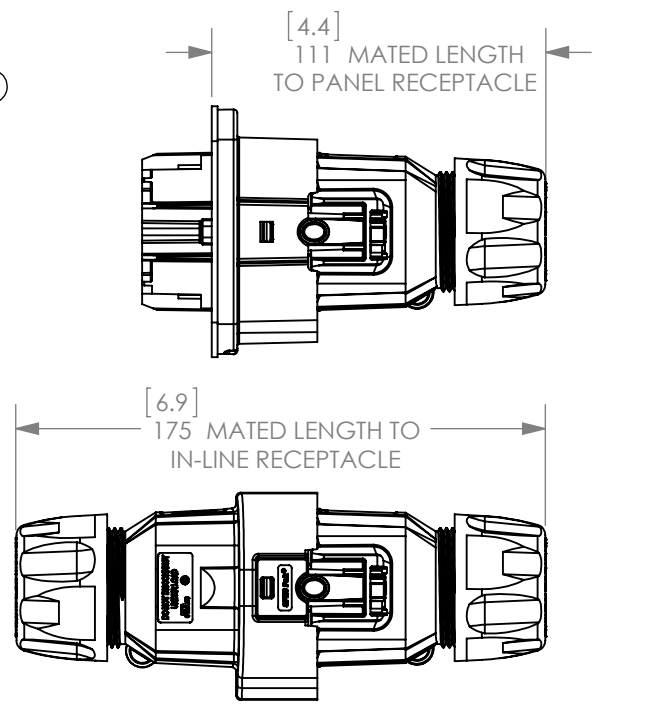
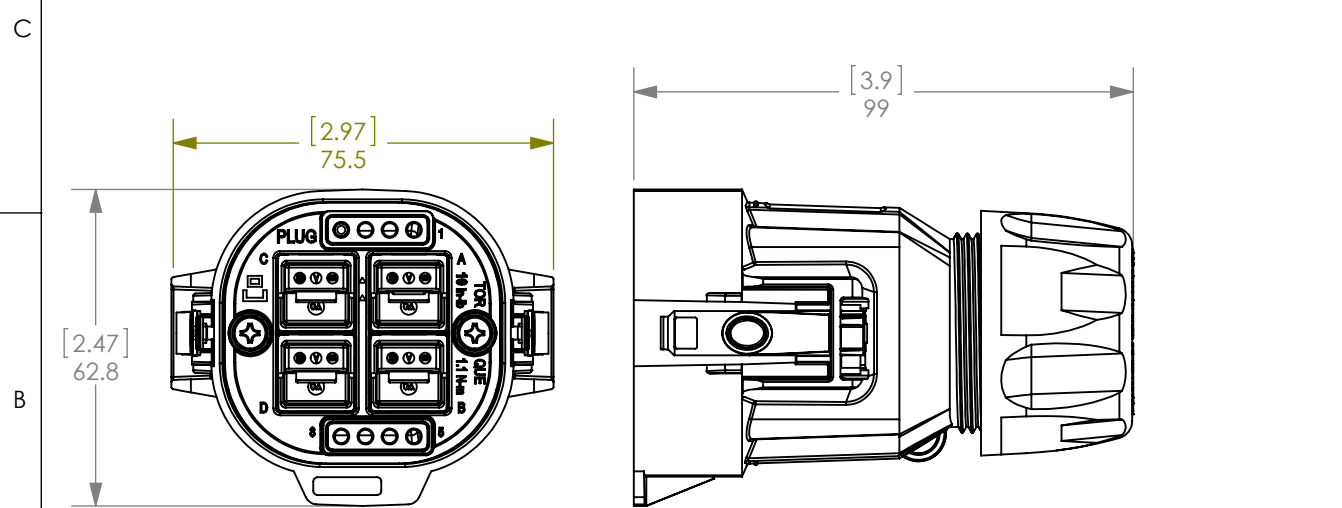
THE INFORMATION CONTAINED IN THIS DRAWING IS THE SOLE PROPERTY OF ANDERSON POWER PRODUCTS. ANY REPRODUCTION IN PART OR WHOLE WITHOUT THE WRITTEN PERMISSION OF ANDERSON POWER PRODUCTS IS PROHIBITED.

Copyright 2012

ANDERSON POWER PRODUCTS RESERVES THE RIGHT TO ALTER PRODUCT TYPES, THEIR TECHNICAL DATA, DIMENSION, STYLE AND ACCESSORIES WITHOUT PRIOR NOTIFICATION.



COMPONENTS INCLUDED		
ITEM	QTY	DESCRIPTION
1	1	PLUG HOUSING WITH LATCHES
2	1	PLUG HOLDER FOR PP75
3	2	M3.5 SELF-TAPPING SCREWS
4	1	SEAL NUT



NOTES:

- MATERIALS:**
 - PLUG HOUSING AND HOLDER- PBT BLACK
 - LATCHES- STAINLESS STEEL
 - SCREWS- STEEL, Zn PLATE
- FOR USE WITH PP75 CONTACTS AND HOUSINGS (ORDERED SEPARATELY)
- HOLDER ACCEPTS UP TO EIGHT POWERMOD® PIN CONTACTS (ORDERED SEPARATELY)
- REFER TO ASSEMBLY INSTRUCTIONS (1S6577)

KIT PART NO. SK6-076C04

DIMENSIONS ARE IN:	MM [INCH]	<i>APPROVALS</i>		 ANDERSON POWER PRODUCTS
UNLESS OTHERWISE STATED		DRAWN	5/23/2012	
TOLERANCES:		CMS	5/23/2012	TITLE MID POWER SPEC PAK PLUG KIT
DECIMALS (INCH)	DECIMALS (MM)	CHECKED	5/24/2012	
.XX ± .02	.X ± .5	LLD	5/24/2012	
ANGLES ±2°		MFG APPRV	5/24/2012	
SURFACE FINISH:		CHB	5/24/2012	SIZE A
MACHINED 3.2µ [128µin]		QC APPRV	5/24/2012	
MOLDED 1.6µ [64µin]		UFN	5/24/2012	DWG NO. 115161S1
MATERIAL: SEE DATA SHT.		ENG APPRV	5/24/2012	
FINISH:		BD	5/24/2012	REV. 1
		-CAD GENERATED DRAWING- DO NOT MANUALLY UPDATE DO NOT SCALE		SCALE NONE
				CADFILE 03713
				SHEET 1 OF 1

1	ECRN-15403	TWE	5/8/2013
REV.	DESCRIPTION	APPRV	DATE
REVISIONS			