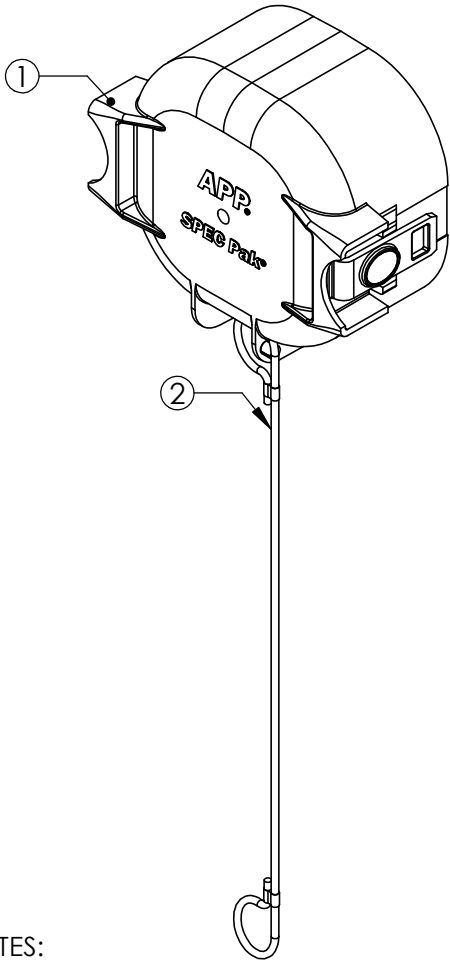


THE INFORMATION CONTAINED IN THIS DRAWING IS THE SOLE PROPERTY OF ANDERSON POWER PRODUCTS. ANY REPRODUCTION IN PART OR WHOLE WITHOUT THE WRITTEN PERMISSION OF ANDERSON POWER PRODUCTS IS PROHIBITED.

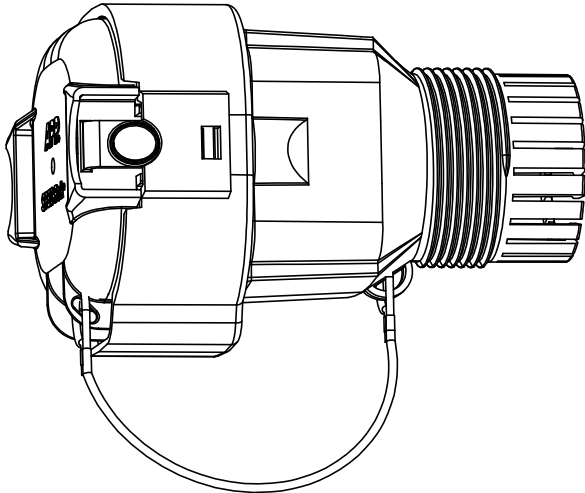
Copyright 2012

ANDERSON POWER PRODUCTS RESERVES THE RIGHT TO ALTER PRODUCT TYPES, THEIR TECHNICAL DATA, DIMENSION, STYLE AND ACCESSORIES WITHOUT PRIOR NOTIFICATION.

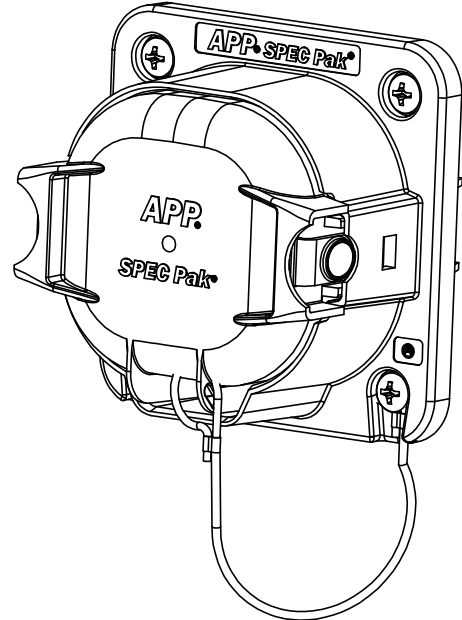
ITEM NO.	QTY.	DESCRIPTION
1	1	MID POWER SPEC PAK® RECEPTACLE COVER
2	1	LANYARD



COVER ON IN-LINE RECEPTACLE



COVER ON PANEL MOUNT RECEPTACLE



P/N: SK9-076

NOTES:

1. MATERIAL:
 - a. COVER- PBT/PC BLEND, UL94 V-0, BLACK
 - b. LANYARD- NYLON/POLYESTER BRAIDED CORD, BLACK
2. LANYARD SHIPS ATTACHED TO THE COVER, ATTACH OPPOSITE END TO RECEPTACLE HOUSINGS AS SHOWN
3. RECEPTACLE HOUSINGS PURCHASED SEPARATELY

DIMENSIONS ARE IN:	MM [INCH]	APPROVALS			ANDERSON POWER PRODUCTS		
UNLESS OTHERWISE STATED		DRAWN			TITLE		
TOLERANCES:		CMS	6/12/2012	MID POWER SPEC PAK® RECEPTACLE COVER			
DECIMALS (INCH) DECIMALS (MM) ANGLES		CHECKED					
.XX ±.02 .X ±.5 ±2°		LLD	6/22/2012				
SURFACE FINISH:		MFG APPRV		MID POWER SPEC PAK® RECEPTACLE COVER			
MACHINED 3.2µ [128µin] ✓		CHB	6/22/2012				
MOLDED 1.6µ [64µin] ✓		QC APPRV					
MATERIAL: SEE NOTES		UFN	6/22/2012	SIZE	DWG NO.	REV.	
FINISH:		ENG APPRV		A	115162S1	0	
		BD	6/25/2012	SCALE	CADFILE	SHEET	
				NONE	03714	1 OF 1	

REV.	DESCRIPTION	APPRV	DATE
REVISIONS			



-CAD GENERATED DRAWING-
DO NOT MANUALLY UPDATE
DO NOT SCALE