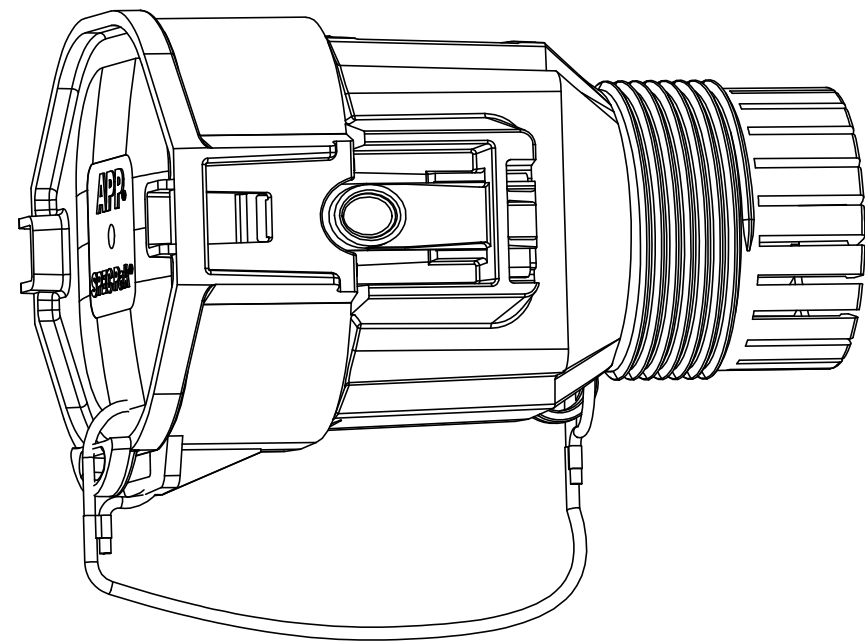
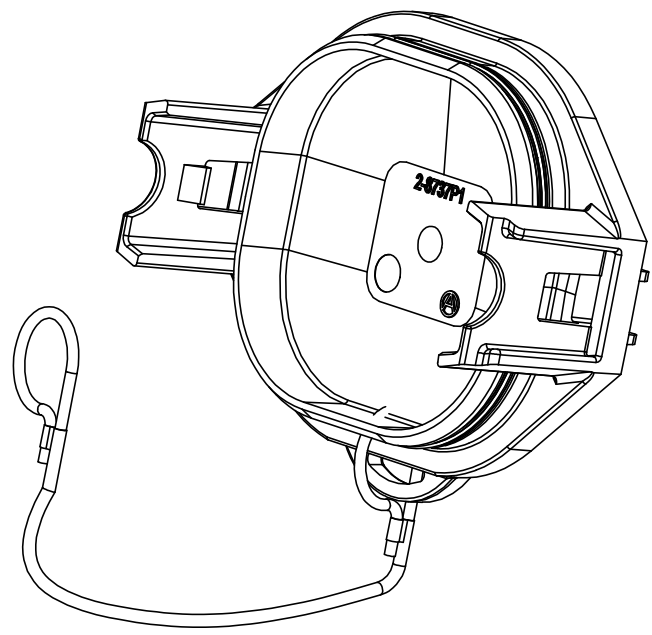


THE INFORMATION CONTAINED IN THIS DRAWING IS THE SOLE PROPERTY OF ANDERSON POWER PRODUCTS. ANY REPRODUCTION IN PART OR WHOLE WITHOUT THE WRITTEN PERMISSION OF ANDERSON POWER PRODUCTS IS PROHIBITED.

**Copyright 2012**

ANDERSON POWER PRODUCTS RESERVES THE RIGHT TO ALTER PRODUCT TYPES, THEIR TECHNICAL DATA, DIMENSION, STYLE AND ACCESSORIES WITHOUT PRIOR NOTIFICATION.

ITEM	QTY.	DESCRIPTION
1	1	MID POWER SPEC PAK® PLUG COVER
2	1	RING SEAL, BLACK
3	1	BRAIDED LANYARD, BLK



**NOTES:**

1. MATERIAL:
  - a. COVER- PBT/PC BLEND, UL94 V-0, BLACK
  - b. LANYARD- NYLON/POLYESTER BRAIDED CORD, BLACK
  - c. RING SEAL: NBR
2. LANYARD SHIPS ATTACHED TO THE COVER, ATTACH OPPOSITE END TO PLUG HOUSING AS SHOWN
3. PLUG HOUSING PURCHASED SEPARATELY

**P/N: SK9P-076**

DIMENSIONS ARE IN:	MM [INCH]	<i>APPROVALS</i>			<i>ANDERSON POWER PRODUCTS</i>		
UNLESS OTHERWISE STATED		<b>DRAWN</b>			<b>TITLE</b>	MID POWER SPEC PAK® PLUG COVER	
TOLERANCES:		CMS	6/12/2012				
DECIMALS (INCH)	DECIMALS (MM)	ANGLES					
.XX ± .02	.X ± .5	±2°					
SURFACE FINISH:		<b>MFG APPRV</b>					
MACHINED	3.2µ [128µin]	CHB	6/22/2012				
MOLDED	1.6µ [64µin]	<b>QC APPRV</b>					
MATERIAL:		UFN	6/22/2012				
SEE NOTES		<b>ENG APPRV</b>					
FINISH:		BD	6/22/2012	<b>SIZE</b>	<b>DWG NO.</b>	<b>REV.</b>	
				A	115163S1	0	
		-CAD GENERATED DRAWING- DO NOT MANUALLY UPDATE DO NOT SCALE		<b>SCALE</b>	<b>CADFILE</b>	<b>SHEET</b>	
				NONE	03715	1 OF 1	

REV.	DESCRIPTION	APPRV	DATE
REVISIONS			