

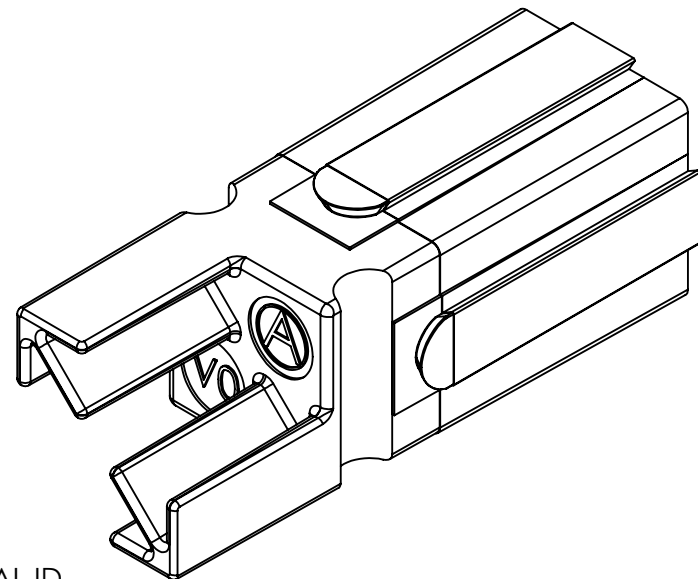
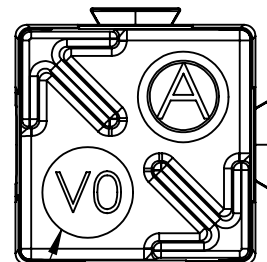
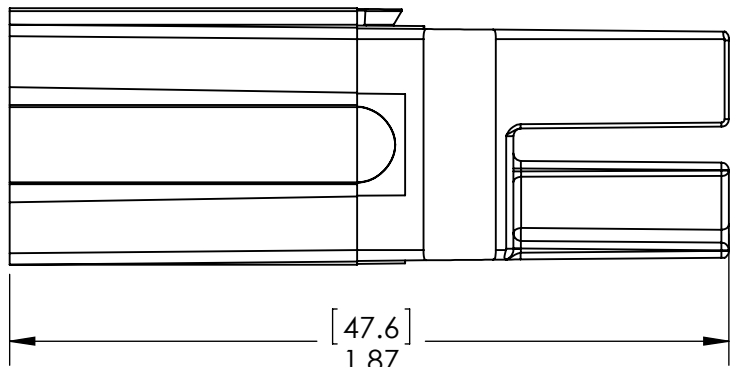
THE INFORMATION CONTAINED IN THIS DRAWING IS THE SOLE PROPERTY OF ANDERSON POWER PRODUCTS. ANY REPRODUCTION IN PART OR WHOLE WITHOUT THE WRITTEN PERMISSION OF ANDERSON POWER PRODUCTS IS PROHIBITED.

Copyright 2012

ANDERSON POWER PRODUCTS RESERVES THE RIGHT TO ALTER PRODUCT TYPES, THEIR TECHNICAL DATA, DIMENSION, STYLE AND ACCESSORIES WITHOUT PRIOR NOTIFICATION.

D

D



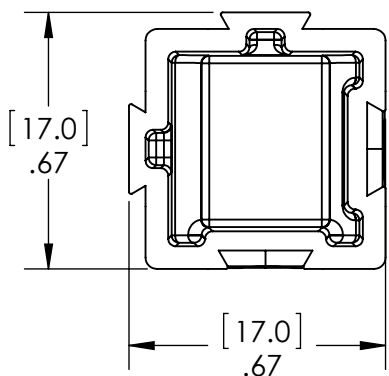
SEE TABLE FOR MATERIAL ID

C

C

B

B



POWERPOLE 75 SPACER			
COLOR	MATERIAL	MATERIAL ID	CATALOG NUMBER
RED	POLYCARBONATE	V0	1399G21-BK
RED	PBT+PC	P	1399G22-BK

- NOTES:
1. THESE SPACERS ARE INTENDED TO PROVIDE A KEYING FEATURE TO POWERPOLE ARRAYS.
 2. 1399G21 SHOWN UNLESS NOTED OTHERWISE

DIMENSIONS ARE IN:	INCH [MM]	APPROVALS			ANDERSON POWER PRODUCTS	
UNLESS OTHERWISE STATED		DRAWN				
TOLERANCES:		MC	10/5/2012	TITLE	SALES OUTLINE FOR PP75 LONG SPACER	
DECIMALS (INCH) DECIMALS (MM) ANGLES	.XX ± .02 .X ± .5 ±2°	CHECKED	NTS 11/7/2012			
SURFACE FINISH:		MFG APPRV	CHB 11/7/2012			
MACHINED 128µin [3.2µ]		QC APPRV	UFN 11/7/2012			
MOLDED 64µin [1.6µ]		ENG APPRV	BC 11/7/2012	SIZE	DWG NO.	REV.
MATERIAL:				A	1152051	0
FINISH:				SCALE	CADFILE	SHEET
				NONE	03828	1 OF 1

A

A

REV.	DESCRIPTION	APPRV	DATE
REVISIONS			



-CAD GENERATED DRAWING-
DO NOT MANUALLY UPDATE
DO NOT SCALE