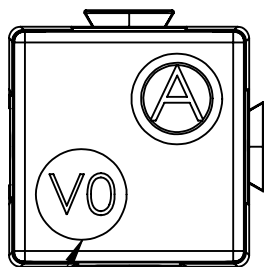
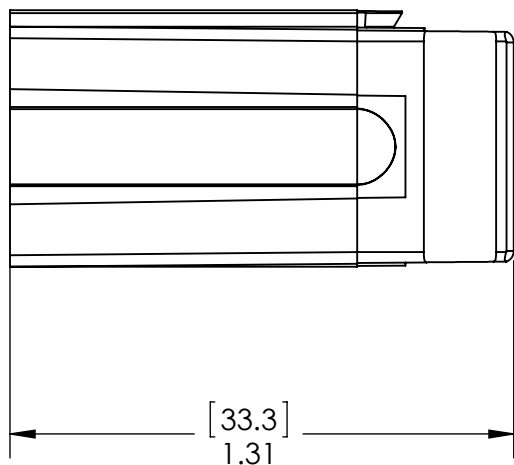


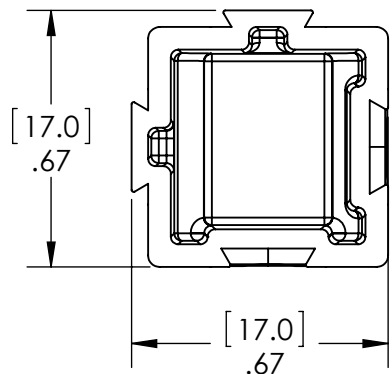
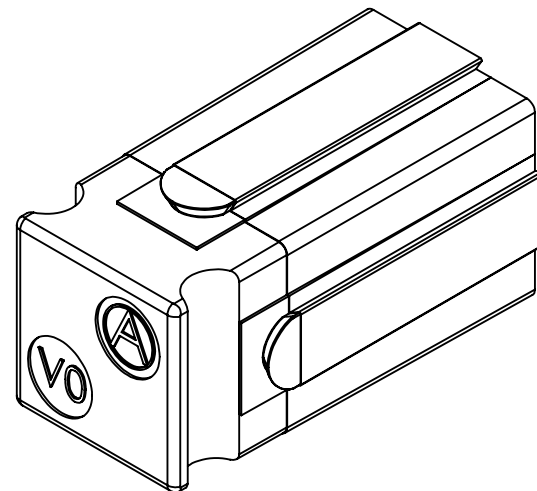
THE INFORMATION CONTAINED IN THIS DRAWING IS THE SOLE PROPERTY OF ANDERSON POWER PRODUCTS. ANY REPRODUCTION IN PART OR WHOLE WITHOUT THE WRITTEN PERMISSION OF ANDERSON POWER PRODUCTS IS PROHIBITED.

Copyright 2012

ANDERSON POWER PRODUCTS RESERVES THE RIGHT TO ALTER PRODUCT TYPES, THEIR TECHNICAL DATA, DIMENSION, STYLE AND ACCESSORIES WITHOUT PRIOR NOTIFICATION.



SEE TABLE FOR MATERIAL ID



POWERPOLE 75 SPACER			
COLOR	MATERIAL	MATERIAL ID	CATALOG NUMBER
RED	POLYCARBONATE	VO	1399G23-BK
RED	PBT+PC	P	1399G24-BK

- NOTES:**
1. THESE SPACERS ARE INTENDED TO PROVIDE A KEYING FEATURE TO POWERPOLE ARRAYS.
 2. 1399G23 SHOWN UNLESS NOTED OTHERWISE

DIMENSIONS ARE IN:		INCH [MM]		APPROVALS		<p>ANDERSON POWER PRODUCTS</p> <p>TITLE</p> <p>SALES OUTLINE FOR PP75 SHORT SPACER</p>	
UNLESS OTHERWISE STATED				DRAWN	MC		10/5/2012
TOLERANCES:				CHECKED	NTS		11/7/2012
DECIMALS (INCH) DECIMALS (MM) ANGLES				MFG APPRV	CHB		11/7/2012
.XX ± .02 .X ± .5 ± 2°				QC APPRV	UFN	11/7/2012	
SURFACE FINISH:				ENG APPRV	BD	11/7/2012	
MACHINED 128µin [3.2µ]				SIZE	A	DWG NO.	
MOLDED 64µin [1.6µ]				SCALE	NONE	115205S2	
MATERIAL:				CADFILE	03829	REV.	
FINISH:				SHEET	1 OF 1	0	
-CAD GENERATED DRAWING- DO NOT MANUALLY UPDATE DO NOT SCALE							

REV.	DESCRIPTION	APPRV	DATE
REVISIONS			