

THE INFORMATION CONTAINED IN THIS DRAWING IS THE SOLE PROPERTY OF ANDERSON POWER PRODUCTS. ANY REPRODUCTION IN PART OR WHOLE WITHOUT THE WRITTEN PERMISSION OF ANDERSON POWER PRODUCTS IS PROHIBITED.

Copyright 2014

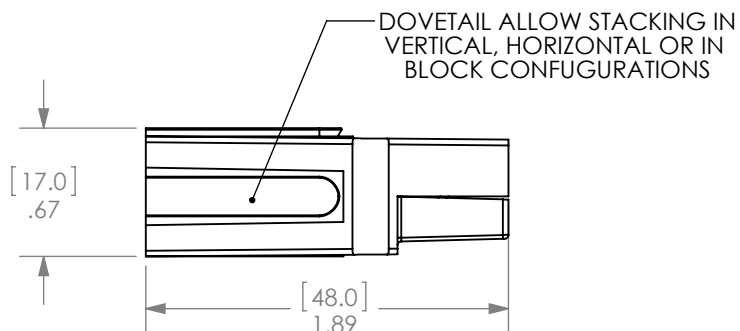
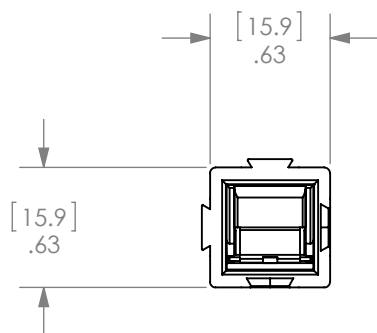
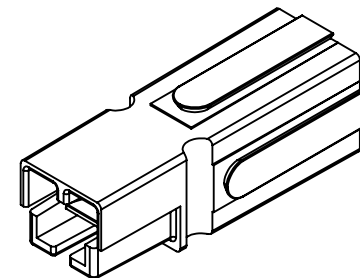
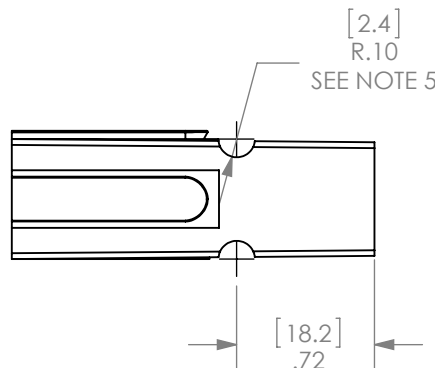
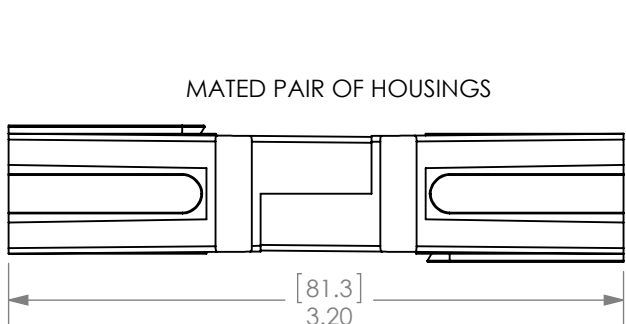
ANDERSON POWER PRODUCTS RESERVES THE RIGHT TO ALTER PRODUCT TYPES, THEIR TECHNICAL DATA, DIMENSION, STYLE AND ACCESSORIES WITHOUT PRIOR NOTIFICATION.

D

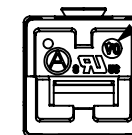
C

B

A



MATERIAL ID LOCATED HERE SEE TABLE





SPRING DEPRESSED IN SHOWN VIEW FOR LOGO CLARITY

NOTES:

1. SPRING/HOUSING ASSEMBLIES ARE PENDING UL RECOGNITION
2. THESE HOUSING ASSEMBLIES ACCOMMODATE ANDERSON CONTACTS FOR WIRE RANGES FROM #12 AWG TO #6 AWG.
3. FOR ASSEMBLY INSTRUCTIONS, SEE DOCUMENT 1S1072.
4. MATERIAL:
HOUSING: SEE TABLE
SPRING: STAINLESS STEEL.
FOR OTHER COLORS, CONSULT ANDERSON POWER PRODUCTS.
5. WHEN MATED SIDE TO SIDE, HALF-ROUNDS ALIGN TO FORM A SLOT FOR ROLL PIN INSERTION, WHICH PROTECTS AGAINST ACCIDENTAL DISLODGING OF MATED HSGS.



CAT NO.	COLOR	MATERIAL	MATERIAL ID	
5927G6-BK	GREEN	POLYCARBONATE	"V0"	
DIMENSIONS ARE IN: INCH [MM]		APPROVALS  ANDERSON POWER PRODUCTS TITLE 5927 SERIES PP75 GROUND HSG & SPRING ASSEMBLY		
UNLESS OTHERWISE STATED				
TOLERANCES:		DRAWN	MC	3/18/2014
DECIMALS (INCH) DECIMALS (MM) ANGLES		CHECKED	CLY	3/20/2014
.XX ± .02 .X ± .5 ±2°		MFG APPRV	LLD	3/20/2014
SURFACE FINISH:		QC APPRV	HN	3/20/2014
MACHINED 128µin [3.2µ]		ENG APPRV	NTS	3/21/2014
MOLDED 64µin [1.6µ]		SIZE A DWG NO. 115358S1 REV. 1		
MATERIAL: SEE TABLE		SCALE NONE CADFILE 04223 SHEET 1 OF 1		
FINISH: AS MOLDED		-CAD GENERATED DRAWING- DO NOT MANUALLY UPDATE DO NOT SCALE		
				

1	ECRN-15672	JEB	7/9/2014
REV.	DESCRIPTION	APPRV	DATE
REVISIONS			