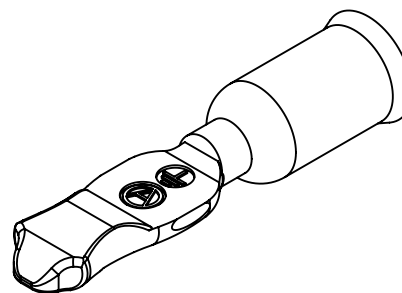
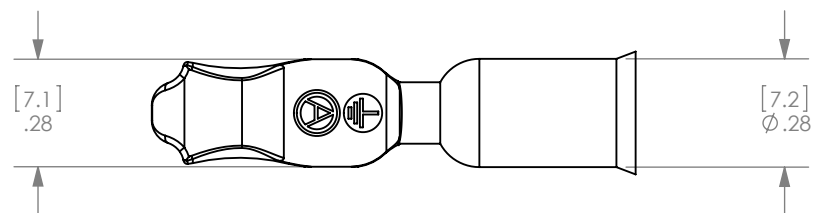


THE INFORMATION CONTAINED IN THIS DRAWING IS THE SOLE PROPERTY OF ANDERSON POWER PRODUCTS. ANY REPRODUCTION IN PART OR WHOLE WITHOUT THE WRITTEN PERMISSION OF ANDERSON POWER PRODUCTS IS PROHIBITED.

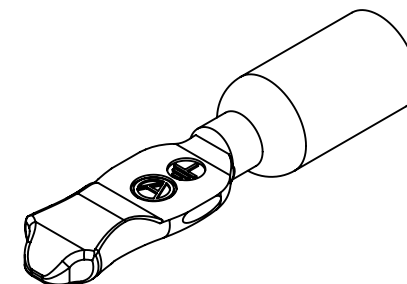
**Copyright 2014**

ANDERSON POWER PRODUCTS RESERVES THE RIGHT TO ALTER PRODUCT TYPES, THEIR TECHNICAL DATA, DIMENSION, STYLE AND ACCESSORIES WITHOUT PRIOR NOTIFICATION.

D

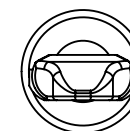
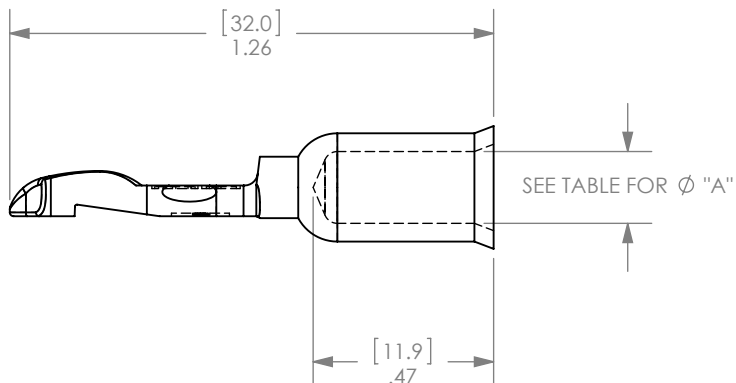


1875G1 & 1875G2

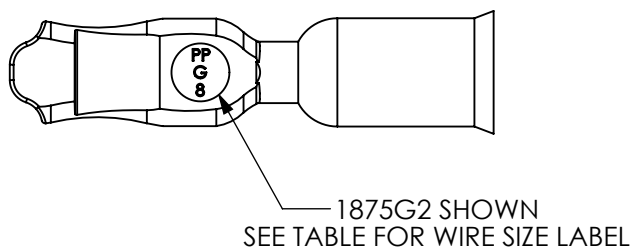


1875G3

C



B



A

CATALOG NUMBER		WIRE SIZE (AWG)		DIM "A"	
1875G1		#6		.22 [5.6]	
1875G2		#8		.19[4.8]	
1875G3		#10/#12		.14[3.5]	
DIMENSIONS ARE IN:		INCH [MM]		APPROVALS	
UNLESS OTHERWISE STATED		DRAWN		MC 3/20/2014	
TOLERANCES:		CHECKED		CLY 3/20/2014	
DECIMALS (INCH) DECIMALS (MM) ANGLES		MFG APPRV		LLD 3/20/2014	
.XX ±.02 .X ±.5 ±2°		QC APPRV		HN 3/20/2014	
SURFACE FINISH:		ENG APPRV		NTS 3/21/2014	
MACHINED 128µin [3.2µ]		SIZE		A	
MOLDED 64µin [1.6µ]		DWG NO.		115358S2	
MATERIAL:		REV.		0	
COPPER ALLOY		SCALE		NONE	
FINISH:		CADFILE		04226	
SILVER PLATE		SHEET		1 OF 1	
		-CAD GENERATED DRAWING- DO NOT MANUALLY UPDATE DO NOT SCALE			

REV.	DESCRIPTION	APPRV	DATE
REVISIONS			