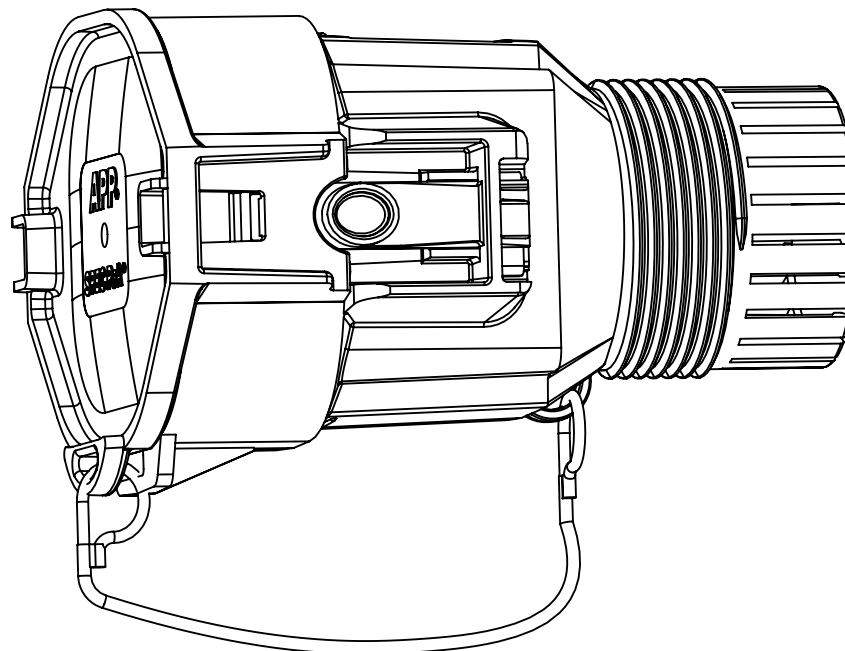
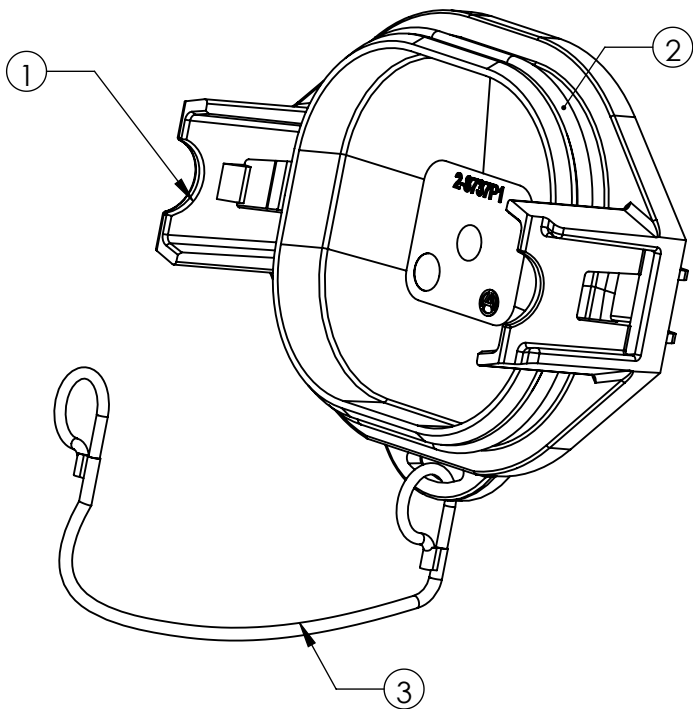


THE INFORMATION CONTAINED IN THIS DRAWING IS THE SOLE PROPERTY OF ANDERSON POWER PRODUCTS. ANY REPRODUCTION IN PART OR WHOLE WITHOUT THE WRITTEN PERMISSION OF ANDERSON POWER PRODUCTS IS PROHIBITED.

Copyright 2018

ANDERSON POWER PRODUCTS RESERVES THE RIGHT TO ALTER PRODUCT TYPES, THEIR TECHNICAL DATA, DIMENSION, STYLE AND ACCESSORIES WITHOUT PRIOR NOTIFICATION.

ITEM	QTY.	DESCRIPTION
1	1	MID POWER SPEC PAK® PLUG COVER
2	1	RING SEAL, ORANGE
3	1	BRAIDED LANYARD, BLACK



P/N: PK9P-076

NOTES:

1. MATERIAL:
 - a. COVER- PBT/PC BLEND, UL94 V-0, BLACK
 - b. LANYARD- NYLON/POLYESTER BRAIDED CORD, BLACK
 - c. RING SEAL: SILICONE
2. LANYARD SHIPS ATTACHED TO THE COVER, ATTACH OPPOSITE END TO PLUG HOUSING AS SHOWN
3. PLUG HOUSING PURCHASED SEPARATELY

DIMENSIONS ARE IN:		MM [INCH]		<i>APPROVALS</i>		ANDERSON POWER PRODUCTS	
UNLESS OTHERWISE STATED				DRAWN	CMS	11/8/2018	TITLE MID POWER SPEC PAK® SOLAR PLUG COVER
TOLERANCES:				CHECKED	CPD	11/8/2018	
DECIMALS (INCH)	DECIMALS (MM)	ANGLES		MKT APPRV	RW	11/9/2018	
.XX ±.02	.X ±.5	±2°		QC APPRV	UFN	11/8/2018	
SURFACE FINISH:				ENG APPRV	SH	11/8/2018	SIZE A
MACHINED		3.2µ [128µin]		DWG NO.		115439S1	
MOLDED		1.6µ [64µin]		REV.		0	
MATERIAL: SEE NOTES				FINISH:		SCALE NONE	
FINISH:				-CAD GENERATED DRAWING- DO NOT MANUALLY UPDATE DO NOT SCALE		CADFILE 05246	
3rd ANGLE PROJECTION				SHEET		1 OF 1	

REV.	DESCRIPTION	APPRV	DATE
REVISIONS			