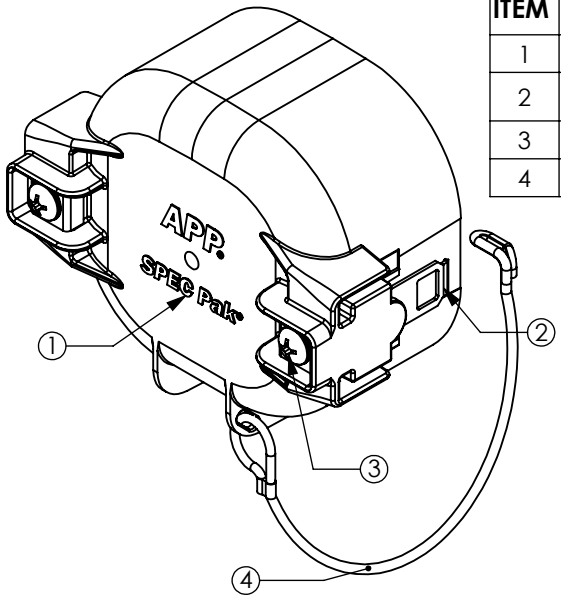


THE INFORMATION CONTAINED IN THIS DRAWING IS THE SOLE PROPERTY OF ANDERSON POWER PRODUCTS. ANY REPRODUCTION IN PART OR WHOLE WITHOUT THE WRITTEN PERMISSION OF ANDERSON POWER PRODUCTS IS PROHIBITED.

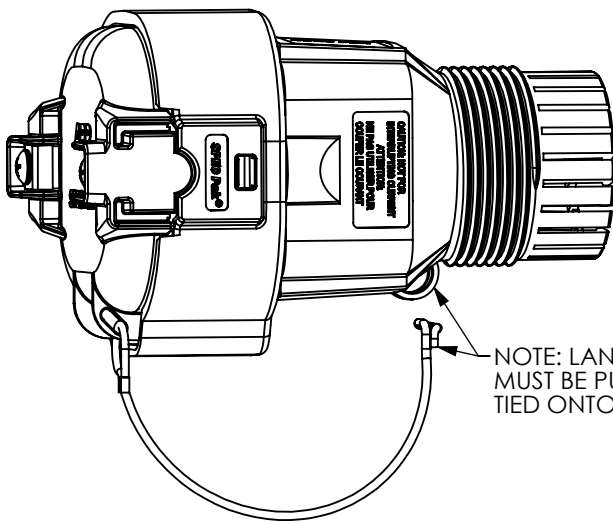
Copyright 2015

ANDERSON POWER PRODUCTS RESERVES THE RIGHT TO ALTER PRODUCT TYPES, THEIR TECHNICAL DATA, DIMENSION, STYLE AND ACCESSORIES WITHOUT PRIOR NOTIFICATION.

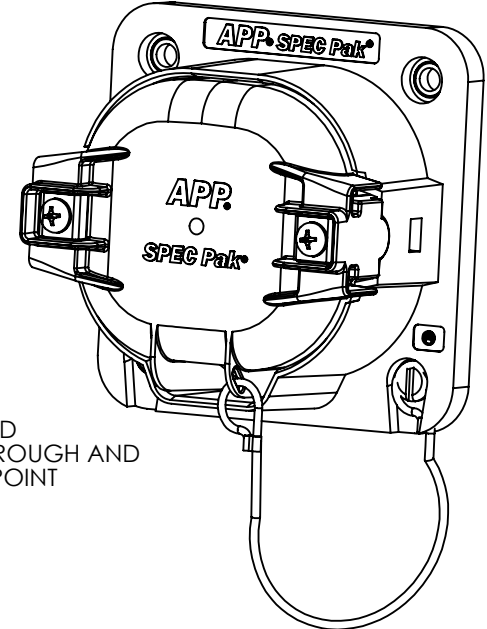
ITEM	QTY.	DESCRIPTION
1	1	MID POWER RECEPTACLE COVER BODY
2	2	MID POWER SPEC PAK® RECEPTACLE COVER LATCH
3	2	#6-19 - 5/16, 48-2 PLASTITE PH PAN-SS
4	1	BRAIDED LANYARD, BLACK



COVER ON IN-LINE RECEPTACLE



COVER ON PANEL MOUNT RECEPTACLE



NOTE: SEE SHEET 2 FOR RELEASE OF COVER

- NOTES:
- MATERIAL:
 - COVER- PBT/PC BLEND, UL94 V-0, BLACK
 - LATCHES- STAINLESS STEEL
 - SCREWS- STAINLESS STEEL
 - LANYARD- NYLON/POLYESTER BRAIDED CORD, BLACK
 - LANYARD SHIPS ATTACHED TO THE COVER, ATTACH OPPOSITE END TO RECEPTACLE HOUSINGS AS SHOWN
 - RECEPTACLE HOUSINGS PURCHASED SEPARATELY

DIMENSIONS ARE IN:	MM [INCH]	APPROVALS		<p>ANDERSON POWER PRODUCTS</p> <p>TITLE</p> <p>CAT. NO. PK9-076 MID POWER SPEC PAK® RECEPTACLE COVER FOR SOLAR APPLICATIONS</p>
UNLESS OTHERWISE STATED		DRAWN	10/21/2015	
TOLERANCES:		CMS		
DECIMALS (INCH)	DECIMALS (MM)	CHECKED	2/18/2016	
.XX ± .02	.X ± .5	ANGLES	±2°	
SURFACE FINISH:		PM APPRV	2/18/2016	
MACHINED	3.2µ [128µin]	MM		
MOLDED	1.6µ [64µin]	QC APPRV	2/18/2016	
MATERIAL:		UFN	2/18/2016	
SEE NOTES		ENG APPRV	2/19/2016	
FINISH:		CLY		
REV.	DESCRIPTION	APPRV	DATE	SIZE A
REVISIONS				DWG NO. 115465S2
				REV. 0
				SCALE NONE
				CADFILE 04666
				SHEET 1 OF 2

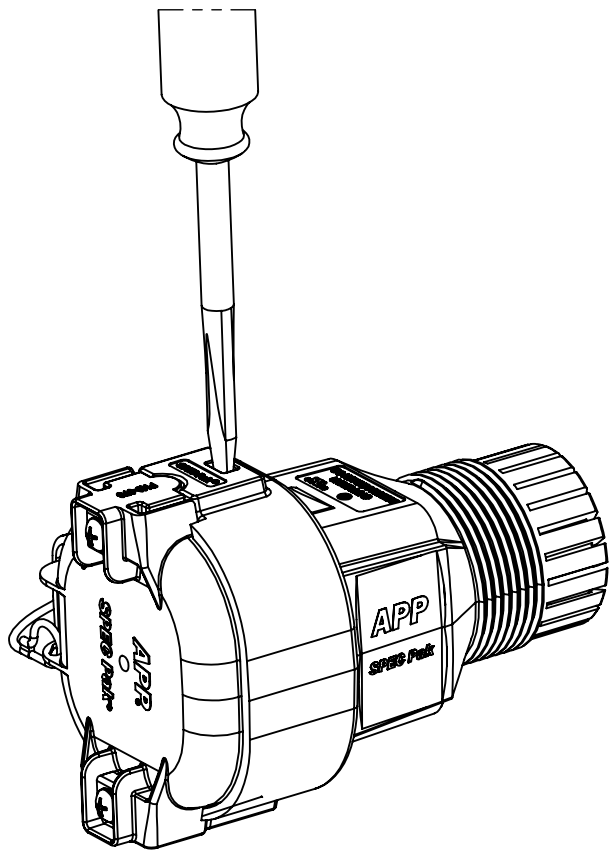


-CAD GENERATED DRAWING-
DO NOT MANUALLY UPDATE
DO NOT SCALE



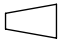
THE INFORMATION CONTAINED IN THIS DRAWING IS THE SOLE PROPERTY OF ANDERSON POWER PRODUCTS. ANY REPRODUCTION IN PART OR WHOLE WITHOUT THE WRITTEN PERMISSION OF ANDERSON POWER PRODUCTS IS PROHIBITED.

Copyright 2015

ANDERSON POWER PRODUCTS RESERVES THE RIGHT TO ALTER PRODUCT TYPES, THEIR TECHNICAL DATA, DIMENSION, STYLE AND ACCESSORIES WITHOUT PRIOR NOTIFICATION.



USE SCREWDRIVER OR SIMILAR TOOL TO RELEASE EACH SIDE OF THE COVER

DIMENSIONS ARE IN:		MM [INCH]	APPROVALS		 ANDERSON POWER PRODUCTS
UNLESS OTHERWISE STATED			DRAWN	CMS 10/21/2015	
TOLERANCES:			CHECKED	AHR 2/18/2016	TITLE CAT. NO. PK9-076 MID POWER SPEC PAK® RECEPTACLE COVER FOR SOLAR APPLICATIONS
DECIMALS (INCH)	DECIMALS (MM)	ANGLES	MFG APPRV	MM 2/18/2016	
.XX ±.02	.X ±.5	±2°	QC APPRV	UFN 2/18/2016	
SURFACE FINISH:			ENG APPRV	CLY 2/19/2016	SIZE
MACHINED	3.2µ [128µin]	✓			A
MOLDED	1.6µ [64µin]	✓			DWG NO.
MATERIAL:					115465S2
SEE NOTES					REV.
FINISH:					0
			-CAD GENERATED DRAWING- DO NOT MANUALLY UPDATE DO NOT SCALE		SCALE
					NONE
					CADFILE
					04666
					SHEET
					2 OF 2