

IP68

DUST • WATER • SHOCK

6 Pole Mini SPEC Pak® waterproof connectors come in configurations of wire to wire or wire to panel mount offerings with up to a maximum of 50A of power and the durability of up to 10,000 mating cycles. The bayonet latch with locking identifications help safeguard against accidental disconnects that may be caused by vibrations, while the compression nut offers additional strain relief protection on wire cables. The compact sleek high-power design of these environmentally rugged connectors makes them ideal for outdoor applications. Designed with protective features to ensure that the connector will be free of water and dust in the mated conditions. Covers offer general finger proof protection in unmated conditions.

FEATURES & BENEFITS

- Mating Cycles - 10,000
- Terminals - Power & Auxiliary
- IP68 - Protection from Dust/Water ingress protection when mated
- Operating Temperatures - From -20°C to 105°C (-4°F to 221°F)
- Latching - Bayonet Style with locking identification for vibration applications

**10,000
MATING
CYCLES
TESTED**

MARKET FOCUS



INDUSTRIES

- E-Mobility
- Lawn & Garden Equipment
- Construction & Agriculture
- Material Handling & Automation
- Commercial & Industrial

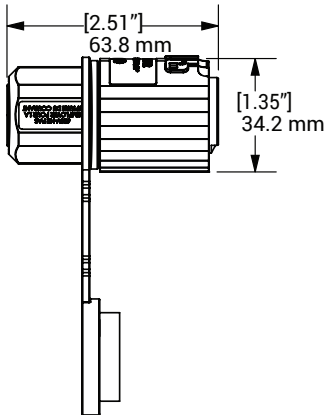
APPLICATIONS

- Battery Power
- Battery Charging
 - Motors
 - Controllers

AT-A-GLANCE

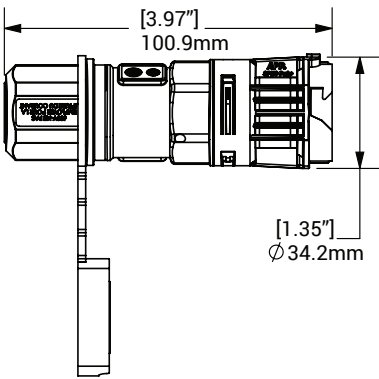
6 Pole Mini SPEC Pak® Male Plug

Side View



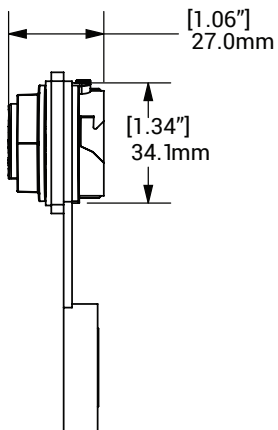
6 Pole Mini SPEC Pak® Wired Female Receptacle

Side View



6 Pole Mini SPEC Pak® Panel Mount Female Receptacle

Side View



LEARN MORE

Does your next project need an IP68 rating for protection against harsh environments including dust, water, and vibration?

Contact your Anderson Power Representative today to learn more about this new connector series.



Learn More



© 2024 Anderson Power Products, Inc. All rights reserved. Anderson Power Products® and SPEC Pak® are registered trademarks of Anderson Power Products, Inc. The Anderson Power logo, Anderson™ and Your Best Connection™ are trademarks of Anderson Power Products, Inc.



Anderson Power Products • 229-230, Spazedge, Tower-B, Sector-47, Gurgaon-12200, India
Cell Phone: (91) 956-0685700 Main Phone: (91) 124-4495101
Email: psingh@andersonpower.com



Your Best Connection™