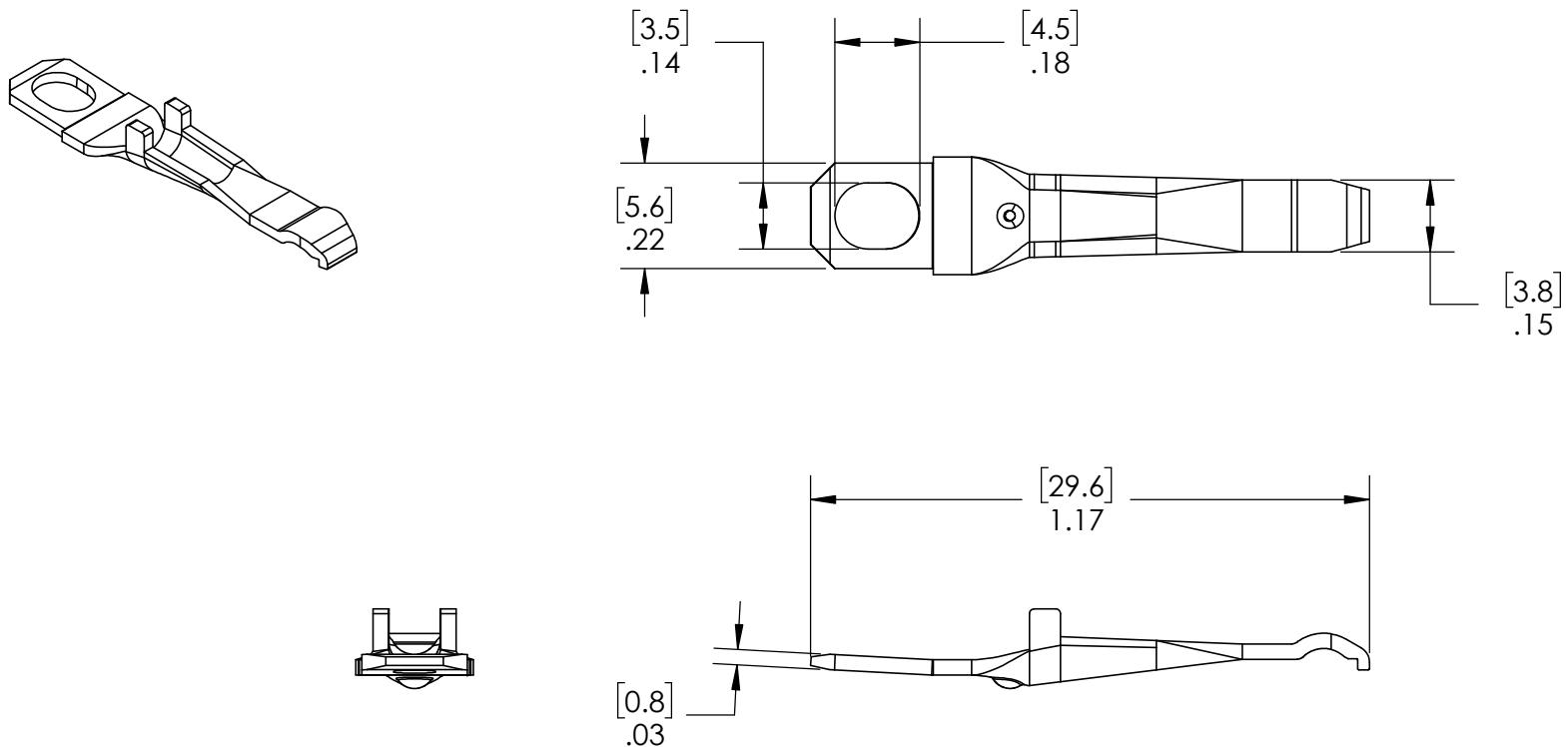


THE INFORMATION CONTAINED IN THIS DRAWING IS THE SOLE PROPERTY OF ANDERSON POWER PRODUCTS. ANY REPRODUCTION IN PART OR WHOLE WITHOUT THE WRITTEN PERMISSION OF ANDERSON POWER PRODUCTS IS PROHIBITED.

**Copyright 2016**

ANDERSON POWER PRODUCTS RESERVES THE RIGHT TO ALTER PRODUCT TYPES, THEIR TECHNICAL DATA, DIMENSION, STYLE AND ACCESSORIES WITHOUT PRIOR NOTIFICATION.



**NOTES:**

- FOR USE WITH ULTRA SHORT SAF-D-GRID® RECEPTACLE HOUSINGS (2007G, 2300G SERIES).
- CATALOG NUMBER: 2016G2-LPBK (LOOSE PIECE).
- FINISH: 50 μINCH [1.27 μM] SILVER PLATE.

DIMENSIONS ARE IN: INCH [MM]		<i>APPROVALS</i>			ANDERSON POWER PRODUCTS	
UNLESS OTHERWISE STATED		DRAWN	9/20/2016		TITLE SAF-D-GRID® ULTRA SHORT RECEPTACLE CONTACT 10-12AWG 4.0-2.5MM <sup>2</sup>	
TOLERANCES:		CHECKED	9/20/2016			
DECIMALS (INCH)	DECIMALS (MM)	ANGLES				
.XX ± .02	.X ± .5	±2°				
SURFACE FINISH:		PM APPRV	9/20/2016	SIZE A		
MACHINED	128μin [3.2μ]	RL				
MOLDED	64μin [1.6μ]	QC APPRV	9/20/2016	DWG NO. 115173S2		
MATERIAL: COPPER ALLOY		DM	9/20/2016			
FINISH: SEE NOTES		ENG APPRV	9/20/2016	REV. 0		
3rd ANGLE PROJECTION		-CAD GENERATED DRAWING- DO NOT MANUALLY UPDATE DO NOT SCALE		SCALE NONE	CADFILE 04827	SHEET 1 OF 1

REV.	DESCRIPTION	APPRV	DATE
REVISIONS			