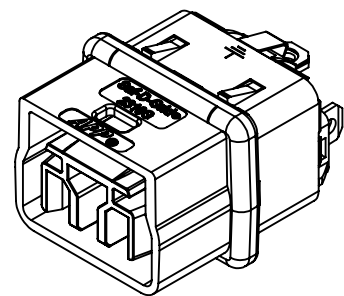


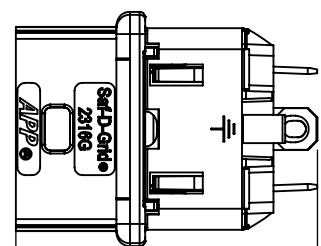
THE INFORMATION CONTAINED IN THIS DRAWING IS THE SOLE PROPERTY OF ANDERSON POWER PRODUCTS. ANY REPRODUCTION IN PART OR WHOLE WITHOUT THE WRITTEN PERMISSION OF ANDERSON POWER PRODUCTS IS PROHIBITED.

Copyright 2017

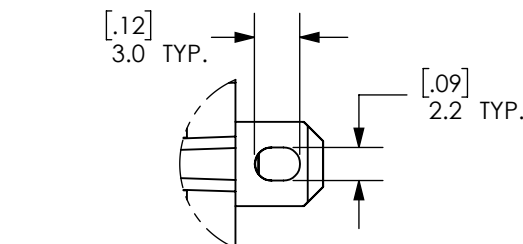
ANDERSON POWER PRODUCTS RESERVES THE RIGHT TO ALTER PRODUCT TYPES, THEIR TECHNICAL DATA, DIMENSION, STYLE AND ACCESSORIES WITHOUT PRIOR NOTIFICATION.



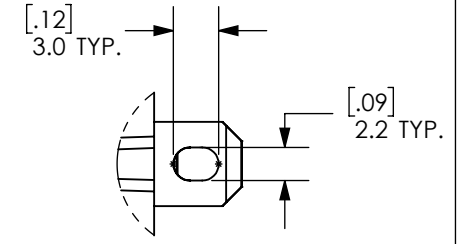
KEY "A" SHOWN



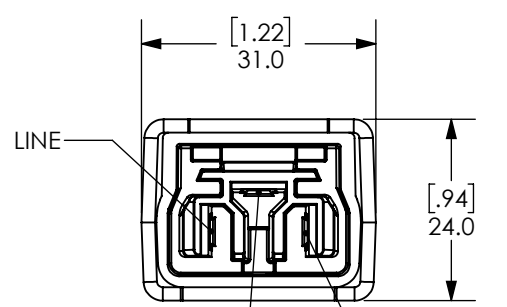
KEY "A" SHOWN



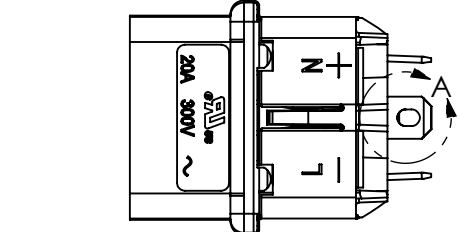
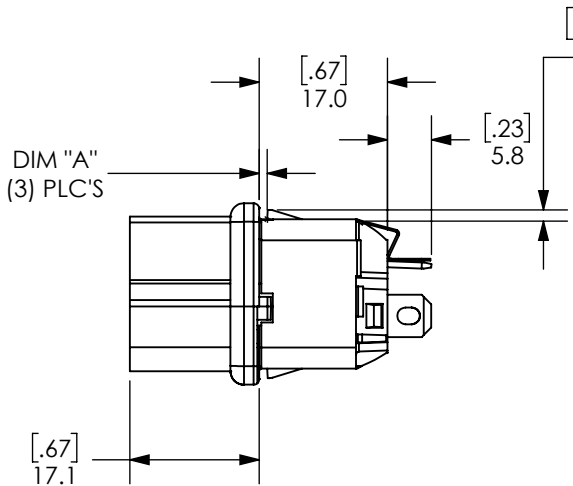
DETAIL A
SCALE 2 : 1
TYP (3) PLC'S
USE FOR 2316G AND 2326G SERIES
UP TO A 14 AWG (2.5mm²) WIRE



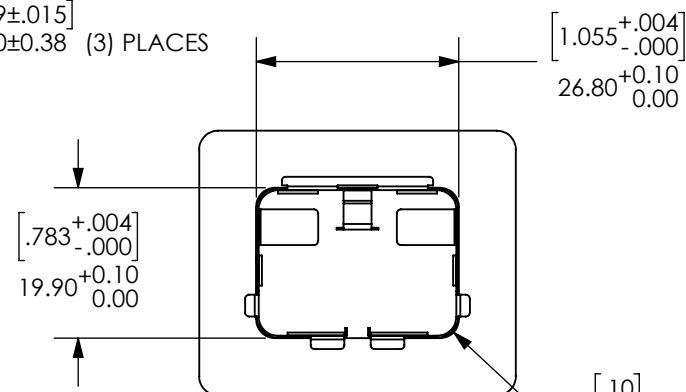
DETAIL A
SCALE 2 : 1
TYP (3) PLC'S
USE FOR 2336G SERIES
UP TO A 10 AWG (6.0mm²) WIRE



KEY "A" SHOWN



KEY "A" SHOWN



RECOMMENDED
PANEL CUT-OUT

KEY "A"	RATED CURRENT	CATALOG NUMBER	PANEL THICKNESS		DIM "A" ^{+0.15[.006]} _{-0.10[.004]}	
			INCH	MM	INCH	MM
20 AMPS	20 AMPS	2316G1	.031	0.80	.041	1.05
		2316G2	.047	1.20	.056	1.42
		2316G3	.039	1.00	.048	1.22
		2316G4	.063	1.60	.072	1.82
		2316G5	.079	2.00	.088	2.24
		2316G6	.098	2.50	.107	2.72
KEY "B"	RATED CURRENT	CATALOG NUMBER	PANEL THICKNESS		DIM "A" ^{+0.15[.006]} _{-0.10[.004]}	
			INCH	MM	INCH	MM
20 AMPS	20 AMPS	2326G1	.031	0.80	.041	1.05
		2326G2	.047	1.20	.056	1.42
		2326G3	.039	1.00	.048	1.22
		2326G4	.063	1.60	.072	1.82
		2326G5	.079	2.00	.088	2.24
		2326G6	.098	2.50	.107	2.72
KEY "C"	RATED CURRENT	CATALOG NUMBER	PANEL THICKNESS		DIM "A" ^{+0.15[.006]} _{-0.10[.004]}	
			INCH	MM	INCH	MM
32 AMPS	32 AMPS	2336G1	.031	0.80	.041	1.05
		2336G2	.047	1.20	.056	1.42
		2336G3	.039	1.00	.048	1.22
		2336G4	.063	1.60	.072	1.82
		2336G5	.079	2.00	.088	2.24
		2336G6	.098	2.50	.107	2.72

- NOTES:
- HOUSING MATERIAL: HIGH TEMP. NYLON + 30% GF, UL 94 V-0, HALOGEN FREE, GWIT 700°C
 - SPRING MATERIAL: STAINLESS STEEL
 - CONTACT MATERIAL: SILVER PLATED COPPER ALLOY
 - FOR USE WITH IEC320 C14 PANEL CUT-OUTS
 - ELECTRICAL RATING: 300V FOR CURRENT INTERRUPTION
 - TEMPERATURE RATING: 105°C
 - COMPLIANT TO LATEST RoHS DIRECTIVE AT TIME OF MANUFACTURING
 - CONTACTS SHOULD NOT BE SOLDERED DIRECTLY TO PCB.

REV.	DESCRIPTION	APPRV	DATE
5	ECN 2021-0081: "20A" MARKING WAS "10A"	CMS	8/24/2021
4	ECN 2017-0100 - ADDED NOTES 7 AND 8	CPD	9/26/2017
3	ECN 2017-0049 - ADDED NOTES 5 AND 6	CPD	5/19/2017
2	ECN 2016-0076 - ADDED BREAK AND 1.50mm DIMENSION	CPD	12/7/2016
1	ECRN-15878 AMPERAGE AND WIRE CHANGE	AHR	10/14/2015

DIMENSIONS ARE IN:		APPROVALS	
MM [INCH]		DRAWN	AHR 5/29/2015
UNLESS OTHERWISE STATED		CHECKED	RJL 5/29/2015
TOLERANCES:		MFG APPRV	CHB 6/12/2015
DECIMALS (INCH)	DECIMALS (MM) ANGLES	QC APPRV	ASF 6/15/2015
.XX ± .02	.X ± .5 ± 2°	ENG APPRV	CLY 6/11/2015
SURFACE FINISH:		-CAD GENERATED DRAWING- DO NOT MANUALLY UPDATE DO NOT SCALE	
MACHINED 3.2µ [128µin] ✓		SIZE B	
MOLDED 1.6µ [64µin] ✓		DWG NO. B02240S1	
MATERIAL: SEE NOTES		REV. 5	
FINISH: N/A		SCALE NONE	
3rd ANGLE PROJECTION		CADFILE 04362	
		SHEET 1 OF 1	

ANDERSON POWER PRODUCTS

TITLE: SAF-D-GRID® 2300 SERIES RECEPTACLES WITH CONTACTS