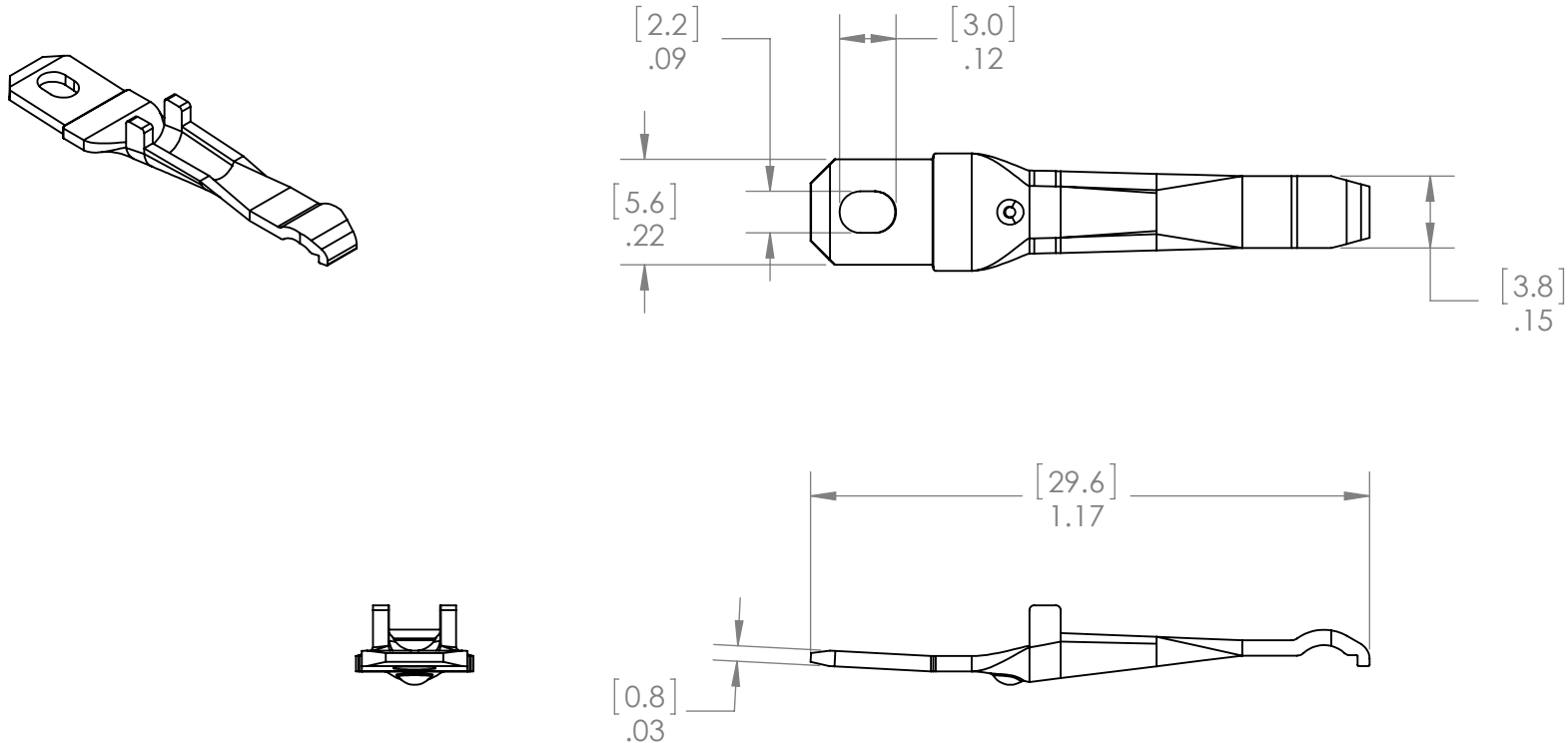


THE INFORMATION CONTAINED IN THIS DRAWING IS THE SOLE PROPERTY OF ANDERSON POWER PRODUCTS. ANY REPRODUCTION IN PART OR WHOLE WITHOUT THE WRITTEN PERMISSION OF ANDERSON POWER PRODUCTS IS PROHIBITED.

Copyright 2012

ANDERSON POWER PRODUCTS RESERVES THE RIGHT TO ALTER PRODUCT TYPES, THEIR TECHNICAL DATA, DIMENSION, STYLE AND ACCESSORIES WITHOUT PRIOR NOTIFICATION.



NOTES:

- FOR USE WITH ULTRA SHORT SAF-D-GRID® RECEPTACLE HOUSINGS (2006G SERIES).
- CATALOG NUMBER: 2016G1-LPBK (LOOSE PIECE).
- FINISH: 50 μINCH [1.27 μM] SILVER PLATE.

3

REV.	DESCRIPTION	APPRV	DATE
3	ECRN 15619	CLY	4/25/2014
2	ECRN 15410	CLY	5/28/2013
1	ECRN 15242	CLY	9/25/2012

REVISIONS

DIMENSIONS ARE IN:	INCH [MM]	APPROVALS		 ANDERSON POWER PRODUCTS	
UNLESS OTHERWISE STATED		DRAWN	CLY		6/13/2012
TOLERANCES:		CHECKED	NTS		6/13/2012
DECIMALS (INCH)	DECIMALS (MM)	ANGLES			
.XX ± .02	.X ± .5	±2°	MFG APPRV	LLD	6/13/2012
SURFACE FINISH:		QC APPRV	UFN	6/13/2012	TITLE RECEPTACLE CONTACT FOR SAF-D-GRID® ULTRA SHORT
MACHINED	128μin [3.2μ]	ENG APPRV	BD	6/13/2012	
MOLDED	64μin [1.6μ]				
MATERIAL:		SIZE	DWG NO.	REV.	
COPPER ALLOY		A	115173S1	3	
FINISH:		SCALE	CADFILE	SHEET	
SEE NOTES		NONE	03746	1 OF 1	
 3rd ANGLE PROJECTION		-CAD GENERATED DRAWING- DO NOT MANUALLY UPDATE DO NOT SCALE			