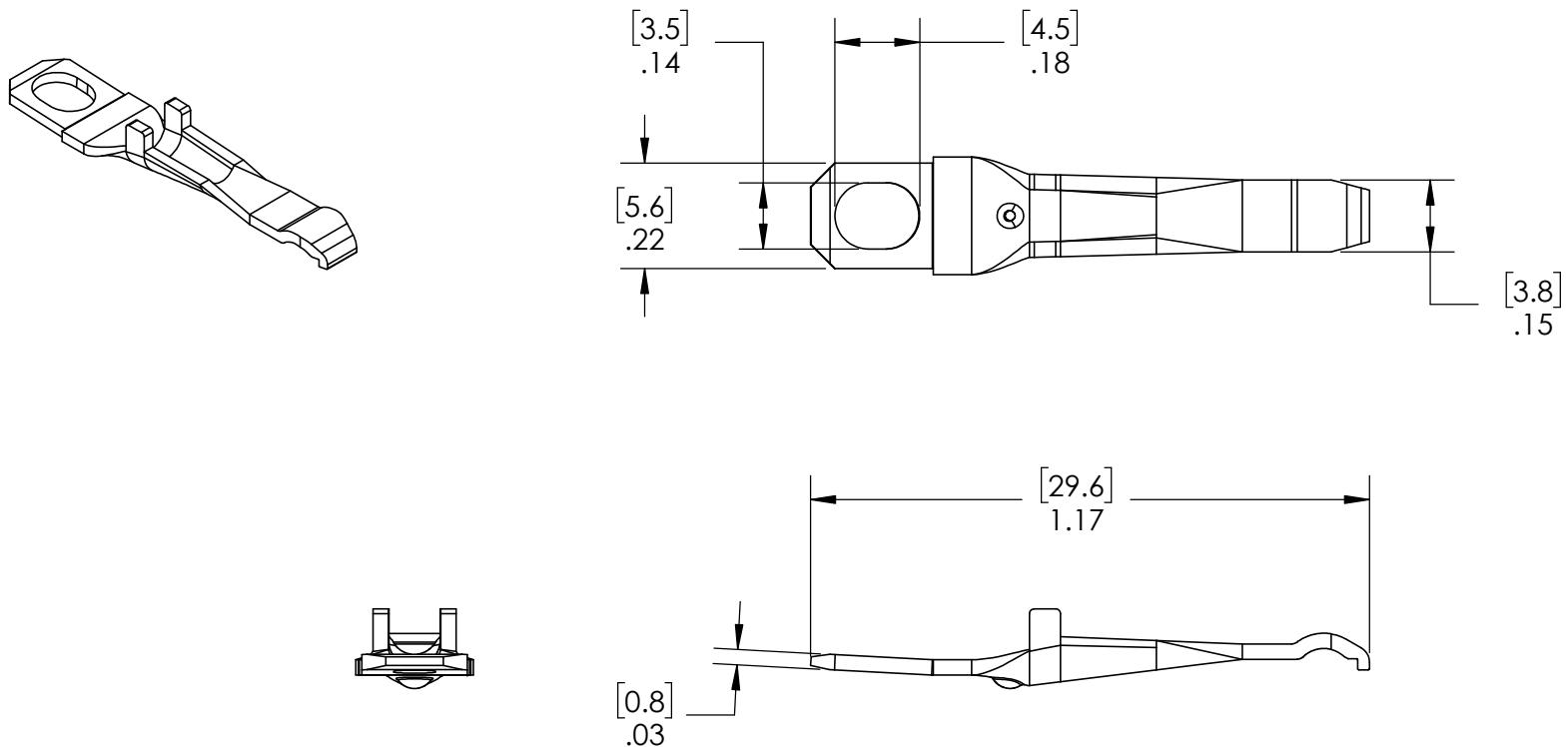


THE INFORMATION CONTAINED IN THIS DRAWING IS THE SOLE PROPERTY OF ANDERSON POWER PRODUCTS. ANY REPRODUCTION IN PART OR WHOLE WITHOUT THE WRITTEN PERMISSION OF ANDERSON POWER PRODUCTS IS PROHIBITED.

Copyright 2016

ANDERSON POWER PRODUCTS RESERVES THE RIGHT TO ALTER PRODUCT TYPES, THEIR TECHNICAL DATA, DIMENSION, STYLE AND ACCESSORIES WITHOUT PRIOR NOTIFICATION.



NOTES:

1. FOR USE WITH ULTRA SHORT SAF-D-GRID® RECEPTACLE HOUSINGS (2007G, 2300G SERIES).
2. CATALOG NUMBER: 2016G2-LPBK (LOOSE PIECE).
3. FINISH: 50 μINCH [1.27 μM] SILVER PLATE.

DIMENSIONS ARE IN: INCH [MM]		APPROVALS		ANDERSON POWER PRODUCTS TITLE SAF-D-GRID® ULTRA SHORT RECEPTACLE CONTACT 10-12AWG 4.0-2.5MM ²
UNLESS OTHERWISE STATED		DRAWN		
TOLERANCES:		CHECKED		
DECIMALS (INCH)	DECIMALS (MM)	PM APPRV		
.XX ± .02	.X ± .5	QC APPRV		
ANGLES ±2°		ENG APPRV		
SURFACE FINISH:		DM		
MACHINED	128μin [3.2μ]	CYL		
MOLDED	64μin [1.6μ]			
MATERIAL: COPPER ALLOY		SIZE	DWG NO.	
FINISH: SEE NOTES		A	115173S2	
		REV.	0	
		SCALE	CADFILE	
		NONE	04827	
		SHEET	1 OF 1	

REV.	DESCRIPTION	APPRV	DATE
REVISIONS			