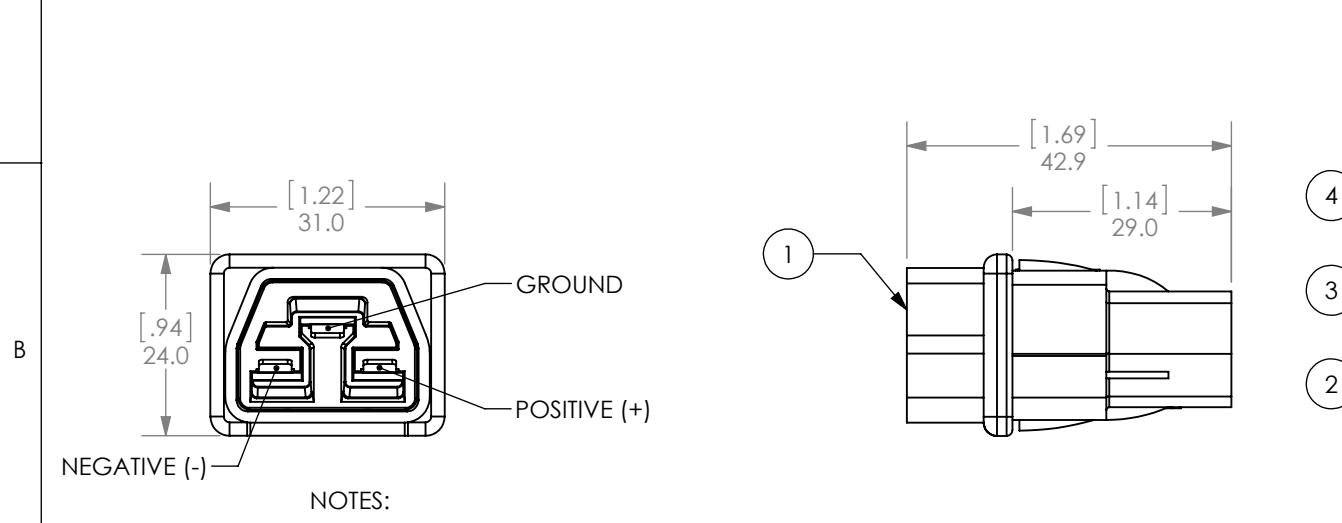
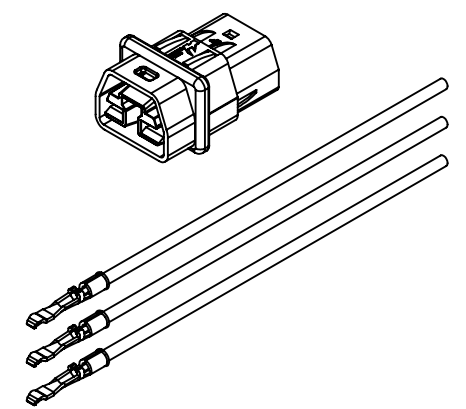


THE INFORMATION CONTAINED IN THIS DRAWING IS THE SOLE PROPERTY OF ANDERSON POWER PRODUCTS. ANY REPRODUCTION IN PART OR WHOLE WITHOUT THE WRITTEN PERMISSION OF ANDERSON POWER PRODUCTS IS PROHIBITED.

Copyright 2014

ANDERSON POWER PRODUCTS RESERVES THE RIGHT TO ALTER PRODUCT TYPES, THEIR TECHNICAL DATA, DIMENSION, STYLE AND ACCESSORIES WITHOUT PRIOR NOTIFICATION.

ITEM NO.	QTY.		PART NUMBER	DESCRIPTION	MATERIAL	FINISH
	2005G1KIT/	2005G3KIT/				
1	1	-	2005G1-BK	SAF-D-GRID SHORT RECEPT, 0.8MM PANEL	POLYCARBONATE / ST. STEEL SPRINGS	BLACK
	-	1	2005G3-BK	SAF-D-GRID SHORT RECEPT, 1.0MM PANEL	POLYCARBONATE / ST. STEEL SPRINGS	BLACK
2	1	1	-	16AWG RED WIRE WITH 2003G1 CONTACT	SEE NOTES	SEE NOTES
3	1	1	-	16AWG BLACK WIRE WITH 2003G1 CONTACT	SEE NOTES	SEE NOTES
4	1	1	-	16AWG GREEN/YELLOW WIRE WITH 2003G1 CONTACT	SEE NOTES	SEE NOTES



- NOTES:
- FOR USE WITH IEC C14 PANEL CUT-OUTS.
 - CONTACT/WIRE ASSEMBLY MATERIAL/FINISH:
CONTACT: SILVER PLATED COPPER ALLOY
WIRE: TINNED COPPER WITH PVC JACKET, COLOR PER DESCRIPTION IN TABLE.
 - WIRE IS UL LISTED 600V, 105°C

DIMENSIONS ARE IN:	MM [INCH]	APPROVALS		ANDERSON POWER PRODUCTS		
UNLESS OTHERWISE STATED		DRAWN		TITLE SAF-D-GRID® 2005 SERIES RECEPTACLE KIT WITH #16AWG WIRES		
TOLERANCES:		CLY	3/4/2014			
DECIMALS (INCH)	DECIMALS (MM)	CHECKED		SIZE A		
.XX ± .02	.X ± .5	MC	3/4/2014			
SURFACE FINISH:		MFG APPRV		DWG NO. 115353S2		
MACHINED	3.2µ [128µin]	CHB	3/5/2014			
MOLDED	1.6µ [64µin]	QC APPRV		REV. 0		
MATERIAL:		HN	3/5/2014			
FINISH:		ENG APPRV		SCALE NONE		
SEE TABLE		BD	3/5/2014			
SEE TABLE		-CAD GENERATED DRAWING- DO NOT MANUALLY UPDATE DO NOT SCALE		CADFILE 04209		SHEET 1 OF 1

REV.	DESCRIPTION	APPRV	DATE
REVISIONS			