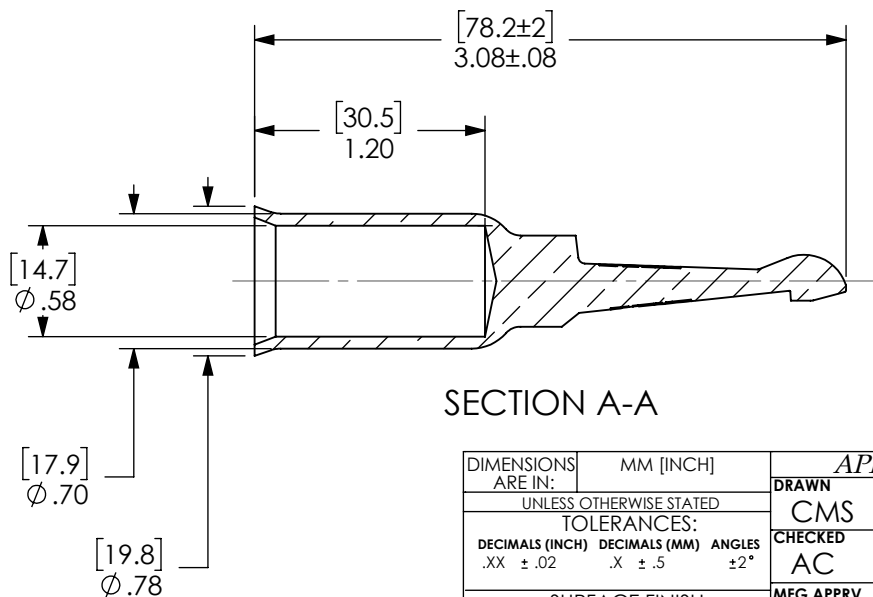
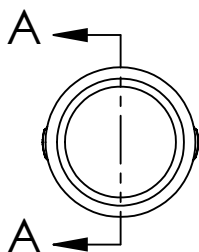
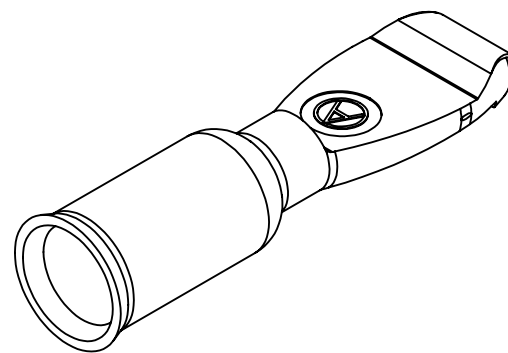
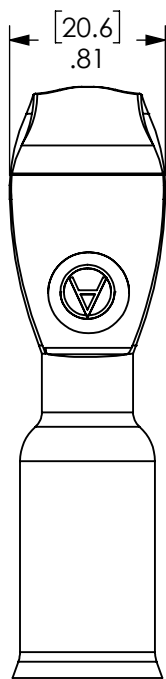


THE INFORMATION CONTAINED IN THIS DRAWING IS THE SOLE PROPERTY OF ANDERSON POWER PRODUCTS. ANY REPRODUCTION IN PART OR WHOLE WITHOUT THE WRITTEN PERMISSION OF ANDERSON POWER PRODUCTS IS PROHIBITED.

Copyright 1999

ANDERSON POWER PRODUCTS RESERVES THE RIGHT TO ALTER PRODUCT TYPES, THEIR TECHNICAL DATA, DIMENSION, STYLE AND ACCESSORIES WITHOUT PRIOR NOTIFICATION.



SECTION A-A

DIMENSIONS ARE IN:		MM [INCH]	APPROVALS		ANDERSON POWER PRODUCTS TITLE CATALOG NUMBER 6355 SBE 320/SBX 350 CONTACT FOR 3/0 WIRE B00784P2	
UNLESS OTHERWISE STATED			DRAWN	CMS 7/26/1999		
TOLERANCES:			CHECKED	AC 7/27/1999		
DECIMALS (INCH) DECIMALS (MM) ANGLES .XX ± .02 .X ± .5 ± 2°			MFG APPRV	CHB 7/27/1999		
SURFACE FINISH:			QC APPRV	DJM 7/28/1999	SIZE A	
MACHINED 3.2µ [128µin] ✓			ENG APPRV	UFN 7/27/1999		DWG NO.
MOLDED 1.6µ [64µin] ✓						114163S2
MATERIAL:					REV.	
COPPER					2	
FINISH:					SCALE	
SILVER PLATE					NONE	
3rd ANGLE PROJECTION			-CAD GENERATED DRAWING- DO NOT MANUALLY UPDATE DO NOT SCALE		CADFILE	
					01079	
					SHEET	
					1 OF 1	

2	ECN 2019-0149 - UPDATED DIMENSIONS	CPD	11/12/2019
1	ECRN-15089	TWE	3/20/12
REV.	DESCRIPTION	APPRV	DATE

REVISIONS