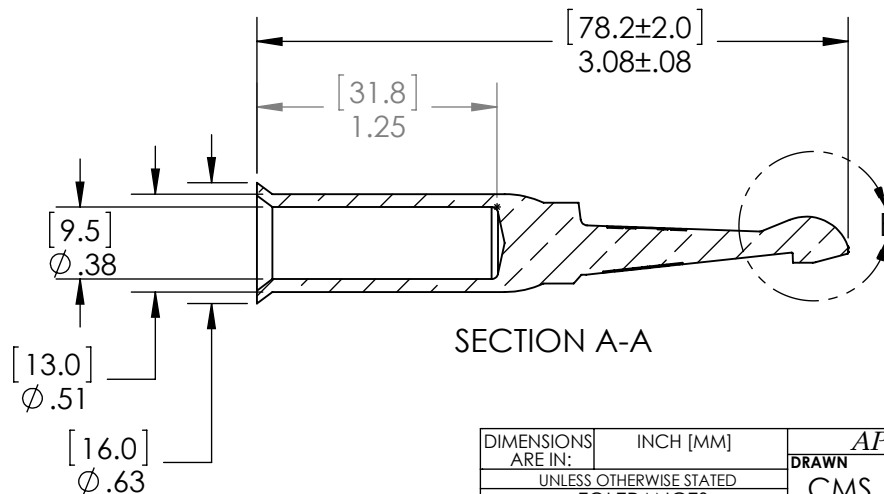
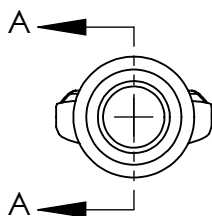
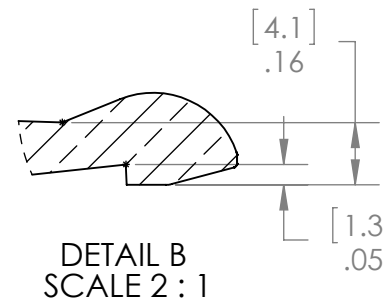
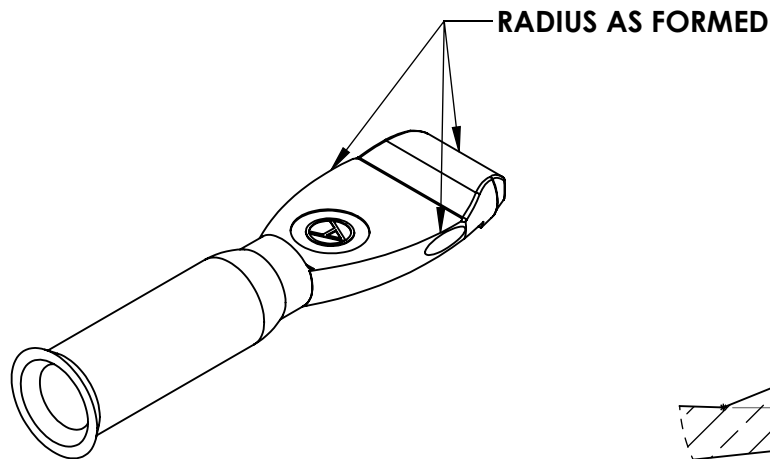
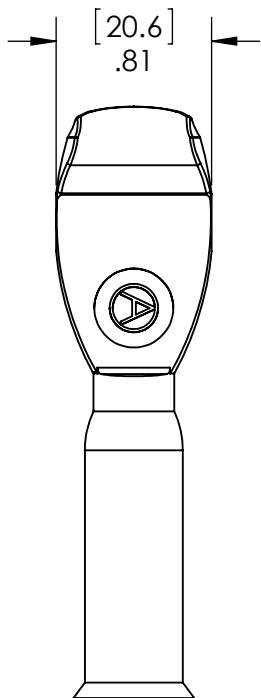


THE INFORMATION CONTAINED IN THIS DRAWING IS THE SOLE PROPERTY OF ANDERSON POWER PRODUCTS. ANY REPRODUCTION IN PART OR WHOLE WITHOUT THE WRITTEN PERMISSION OF ANDERSON POWER PRODUCTS IS PROHIBITED.

**Copyright 2002**

ANDERSON POWER PRODUCTS RESERVES THE RIGHT TO ALTER PRODUCT TYPES, THEIR TECHNICAL DATA, DIMENSION, STYLE AND ACCESSORIES WITHOUT PRIOR NOTIFICATION.



1

DIMENSIONS ARE IN:	INCH [MM]	<b>APPROVALS</b>			<b>ANDERSON POWER PRODUCTS</b>			
UNLESS OTHERWISE STATED		DRAWN	CMS		1/3/2002	<b>TITLE</b> CATALOG NUMBER 6394 SBE320/SBX350 CONTACT FOR 35MM WIRE		
TOLERANCES:		CHECKED	DJD	1/31/2002	<b>SIZE</b> A			
DECIMALS (INCH)	DECIMALS (MM)	ANGLES	MFG APPRV	CHB				1/31/2002
.XX ± .02	.X ± .5	±2°	QC APPRV	RPO	1/31/2002	<b>REV.</b> 1		
SURFACE FINISH:		ENG APPRV	UFN	1/31/2002	<b>SCALE</b> NONE			
MACHINED	128µin [3.2µ]	-CAD GENERATED DRAWING- DO NOT MANUALLY UPDATE DO NOT SCALE		<b>CADFILE</b> 01490				
MOLDED	64µin [1.6µ]	<b>SHEET</b> 1 OF 1						
MATERIAL:		3rd ANGLE PROJECTION						
COPPER								
FINISH:								
SILVER PLATE								

1	ECRN-15089 UPDATED	TWE	3/20/2012
REV.	DESCRIPTION	APPRV	DATE
REVISIONS			