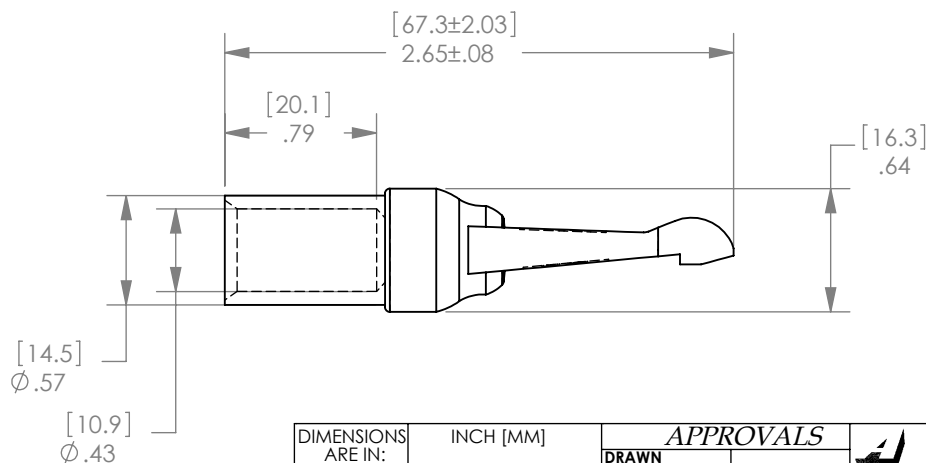
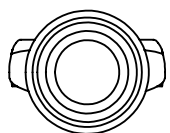
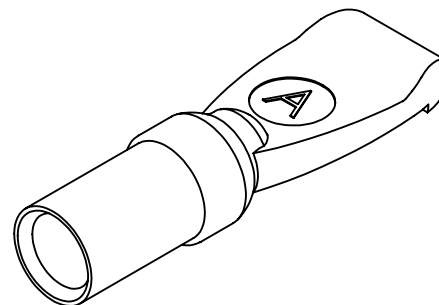




THE INFORMATION CONTAINED IN THIS DRAWING IS THE SOLE PROPERTY OF ANDERSON POWER PRODUCTS. ANY REPRODUCTION IN PART OR WHOLE WITHOUT THE WRITTEN PERMISSION OF ANDERSON POWER PRODUCTS IS PROHIBITED.

**Copyright 2019**

ANDERSON POWER PRODUCTS RESERVES THE RIGHT TO ALTER PRODUCT TYPES, THEIR TECHNICAL DATA, DIMENSION, STYLE AND ACCESSORIES WITHOUT PRIOR NOTIFICATION.



DIMENSIONS ARE IN:		INCH [MM]		<b>APPROVALS</b>		 <b>ANDERSON POWER PRODUCTS</b> <b>TITLE</b> Cat. No. 1341G1 50mm <sup>2</sup> DIN CONTACT FOR SBEX350/SBE320		
UNLESS OTHERWISE STATED				DRAWN	CMS 11/21/2001			
TOLERANCES:				CHECKED	DJD 11/21/2001			
DECIMALS (INCH) DECIMALS (MM) ANGLES .XX ± .02 .X ± .5 ±.5°				MFG APPRV	CHB 11/26/2001			
SURFACE FINISH:				QC APPRV	RPO 11/26/2001			
MACHINED 128µin [3.2µ]				ENG APPRV	UFN 11/26/2001	SIZE	DWG NO.	REV.
MOLDED 64µin [1.6µ]				MATERIAL: COPPER		A	114347S1	1
FINISH: SILVER PLATE				-CAD GENERATED DRAWING- DO NOT MANUALLY UPDATE DO NOT SCALE		SCALE	CADFILE	SHEET
						1:1	1341G1	1 OF 1

1	.79 WAS .75, TOL WAS ±.04	CPD	11/12/2019
REV	DESCRIPTION OF CHANGES	APPROVED	DATE