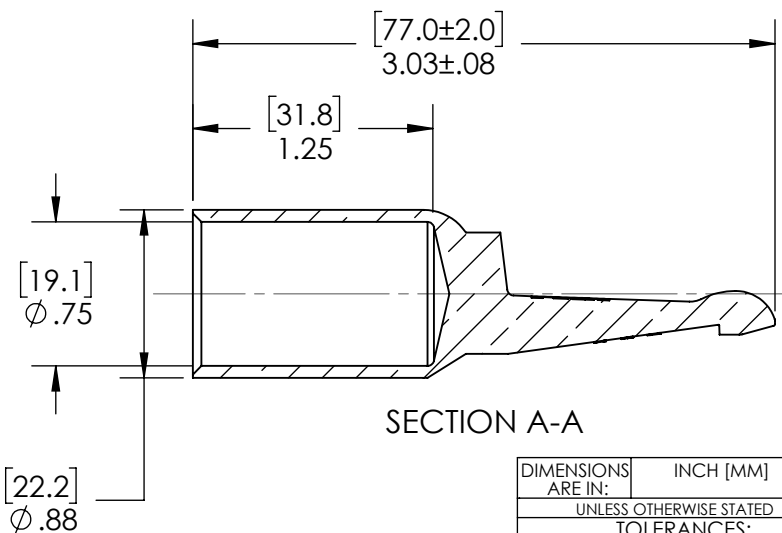
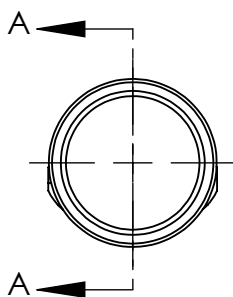
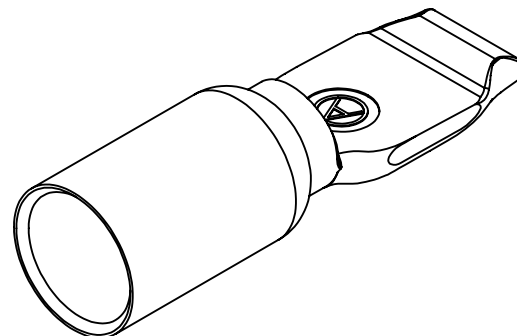
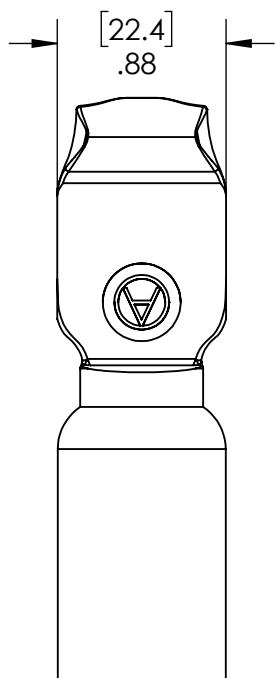


THE INFORMATION CONTAINED IN THIS DRAWING IS THE SOLE PROPERTY OF ANDERSON POWER PRODUCTS. ANY REPRODUCTION IN PART OR WHOLE WITHOUT THE WRITTEN PERMISSION OF ANDERSON POWER PRODUCTS IS PROHIBITED.

Copyright 2012

ANDERSON POWER PRODUCTS RESERVES THE RIGHT TO ALTER PRODUCT TYPES, THEIR TECHNICAL DATA, DIMENSION, STYLE AND ACCESSORIES WITHOUT PRIOR NOTIFICATION.



SECTION A-A

DIMENSIONS ARE IN: INCH [MM]		APPROVALS		 ANDERSON POWER PRODUCTS	
UNLESS OTHERWISE STATED		DRAWN	TWE 3/20/2012		TITLE CATALOG NUMBER 6358 SBX/SBE 350 CONTACT FOR 300 MCM CABLE
TOLERANCES:		CHECKED	CMS 3/20/2012		
DECIMALS (INCH)	DECIMALS (MM)	ANGLES			
.XX ± .02	.X ± .5	±2°			
SURFACE FINISH:		MFG APPRV	LLD 3/20/2012		
MACHINED 128µin [3.2µ]		QC APPRV	UFN 3/20/2012		
MOLDED 64µin [1.6µ]		ENG APPRV	BD 3/21/2012		
MATERIAL: COPPER ALLOY		SIZE	A	DWG NO. 115151S1	
FINISH: SILVER PLATE		REV.	1		
 3rd ANGLE PROJECTION		-CAD GENERATED DRAWING- DO NOT MANUALLY UPDATE DO NOT SCALE	SCALE	NONE	
		CADFILE	03682	SHEET 1 OF 1	

1	ECN 2019-0149 - REMOVED DETAIL A	CPD	11/11/2019
REV.	DESCRIPTION	APPRV	DATE
REVISIONS			