

8

7

6

5

4

3

2

1

THE INFORMATION CONTAINED IN THIS DRAWING IS THE SOLE PROPERTY OF ANDERSON POWER PRODUCTS. ANY REPRODUCTION IN PART OR WHOLE WITHOUT THE WRITTEN PERMISSION OF ANDERSON POWER PRODUCTS IS PROHIBITED.

Copyright 2022

ANDERSON POWER PRODUCTS RESERVES THE RIGHT TO ALTER PRODUCT TYPES, THEIR TECHNICAL DATA, DIMENSION, STYLE AND ACCESSORIES WITHOUT PRIOR NOTIFICATION.

KIT PART NUMBER

KITS DESCRIPTION

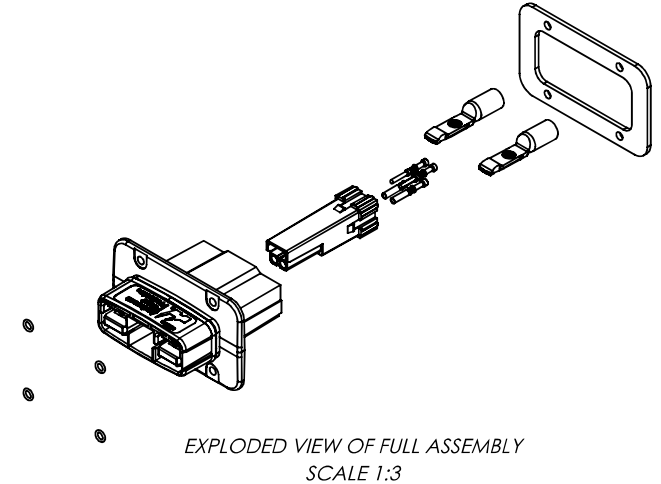
SBSX75A-PMPLUG-KIT-RED

SBSX75A-PMPLUG-KIT-BLU

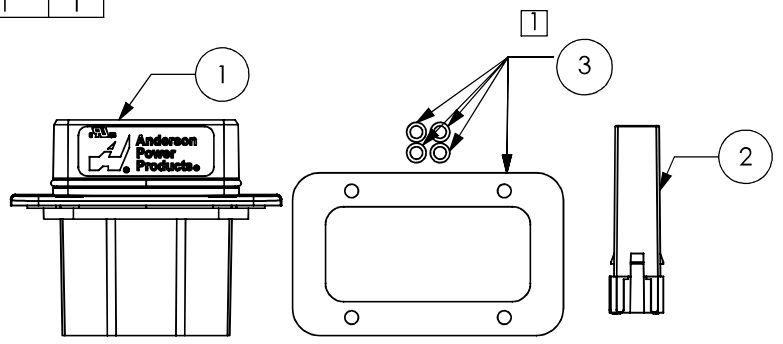
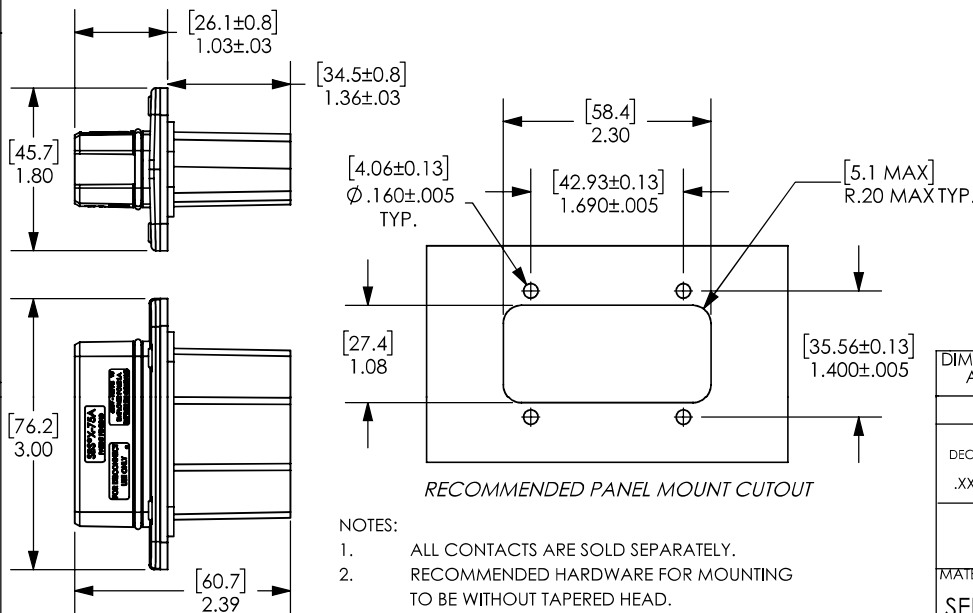
SBSX75A-PMPLUG-KIT-GRY

SBSX75A-PMPLUG-KIT-BLK

CONNECTOR KITS CONTAINING THE CONNECTOR ASSEMBLY, SIGNAL HOLDER, PANEL GASKET AND O-RINGS FOR MOUNTING HARDWARE. KIT PART NUMBER IS UNIQUE TO THE COLOR OF THE SIGNAL HOUSING.



ITEM NUMBER	COMPONENT PART NUMBER				MATERIAL	PART DESCRIPTION	QTY
1	SBSX75A-PMPLUG-BLK				PC/PBT	PANEL MOUNT PLUG HOUSING	1
2	2-8840P1	2-8840P2	2-8840P3	2-8840P4	PC	SIGNAL CONTACT HOUSING	1
COLOR	(RED)	(BLUE)	(GRAY)	(BLACK)	-	-	-
3	108G1				SILICONE	HARDWARE O-RINGS	4
					NBR	PANEL MOUNT GASKET	1



- NOTES:
1. ALL CONTACTS ARE SOLD SEPARATELY.
 2. RECOMMENDED HARDWARE FOR MOUNTING TO BE WITHOUT TAPERED HEAD.

DIMENSIONS ARE IN:		INCH [MM]		APPROVALS		ANDERSON POWER PRODUCTS	
UNLESS OTHERWISE STATED				DRAWN		TITLE	
TOLERANCES:				JWH	2/1/2022	SEALED SBS@X - 75A	
DECIMALS (INCH)		DECIMALS (MM)		CHECKED		PANEL MOUNT PLUG	
.XX ± .02		.X ± .5		CMS		CONNECTOR	
		±2°		PM APPR			
SURFACE FINISH:				CM		3/22/2022	
MACHINED		128µin [3.2µ]		QC APPR		COA	
MOLDED		64µin [1.6µ]		UFN		3332	
MATERIAL:				ENG APPR		PROD. LINE	
SEE TABLE				SH		SBS@X-75A	
FINISH:				3/11/2022		SIZE	
						A	
				-CAD GENERATED DRAWING- DO NOT MANUALLY UPDATE DO NOT SCALE		DWG NO.	
						115991S1	
						REV.	
						1	
				SCALE		SHEET	
				NONE		1 OF 1	
				CADFILE			
				05478			

1	ECN 2022-0087 UPDATE BOM	JWH	12/13/2022
REV.	DESCRIPTION	APPRV	DATE
REVISIONS			

8

7

6

5

4

3

2

1