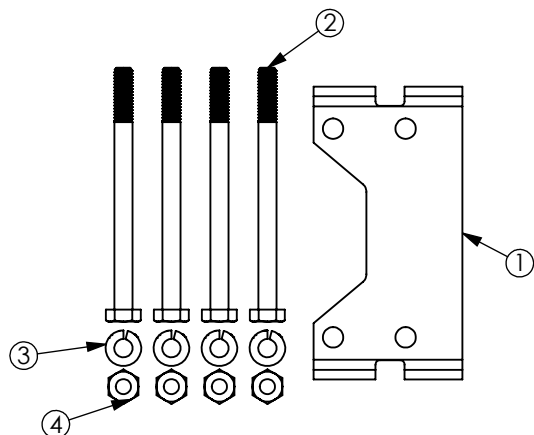


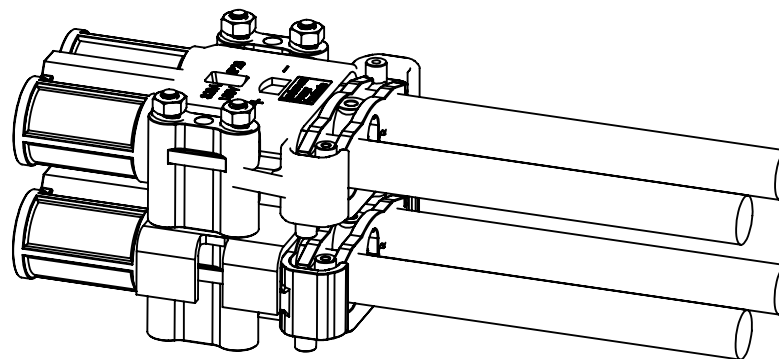
THE INFORMATION CONTAINED IN THIS DRAWING IS THE SOLE PROPERTY OF ANDERSON POWER PRODUCTS. ANY REPRODUCTION IN PART OR WHOLE WITHOUT THE WRITTEN PERMISSION OF ANDERSON POWER PRODUCTS IS PROHIBITED.

Copyright 2020

ANDERSON POWER PRODUCTS RESERVES THE RIGHT TO ALTER PRODUCT TYPES, THEIR TECHNICAL DATA, DIMENSION, STYLE AND ACCESSORIES WITHOUT PRIOR NOTIFICATION.



993G6 ASSEMBLED WITH CONNECTORS AND CONTACTS



ITEM	QTY.	DESCRIPTION	MATERIAL
1	1	MANUAL RELEASE BATTERY BRACKET-EBC/ABC 320	STEEL, RED
2	4	M6 x 80mm HEX HEAD BOLT	STEEL, Zn PLATE
3	4	LOCKWASHER: M6 DIN 127B STEEL, ZINC PL	STEEL, Zn PLATE
4	4	HEX NUT M6, STEEL ZINC PL	STEEL, Zn PLATE

NOTES:

1. KIT DOES NOT INCLUDE HOUSINGS OR CONTACTS
2. FOR USE WITH EBC 320 AND ABC 320 CONNECTORS ONLY
3. ASSEMBLE PER 1S6830

DIMENSIONS ARE IN: MM [INCH]		APPROVALS		<p>ANDERSON POWER PRODUCTS</p> <p>TITLE</p> <p>CAT. NO. 993G6: MANUAL RELEASE EBC/ABC 320-DOUBLE STACK, BATTERY SIDE</p>
UNLESS OTHERWISE STATED		DRAWN	9/1/2020	
TOLERANCES:		CHECKED	3/19/2021	
DECIMALS (INCH)	DECIMALS (MM)	ANGLES		
.XX ± .02	.X ± .5	±2°		
SURFACE FINISH:		PM APPRV	3/18/2021	
MACHINED	3.2µ [128µin]	CD		
MOLDED	1.6µ [64µin]	QC APPRV	3/22/2021	
MATERIAL: SEE TABLE		UFN		
FINISH:		ENG APPRV	3/19/2021	
		SH		SIZE A DWG NO. 116015S1 REV. 0
<p>3rd ANGLE PROJECTION</p>		-CAD GENERATED DRAWING- DO NOT MANUALLY UPDATE DO NOT SCALE		SCALE NONE CADFILE 05555 SHEET 1 OF 2

REV.	DESCRIPTION	APPRV	DATE
REVISIONS			

8 7 6 5 4 3 2 1

THE INFORMATION CONTAINED IN THIS DRAWING IS THE SOLE PROPERTY OF ANDERSON POWER PRODUCTS. ANY REPRODUCTION IN PART OR WHOLE WITHOUT THE WRITTEN PERMISSION OF ANDERSON POWER PRODUCTS IS PROHIBITED.

Copyright 2021

ANDERSON POWER PRODUCTS RESERVES THE RIGHT TO ALTER PRODUCT TYPES, THEIR TECHNICAL DATA, DIMENSION, STYLE AND ACCESSORIES WITHOUT PRIOR NOTIFICATION.

D

D

C

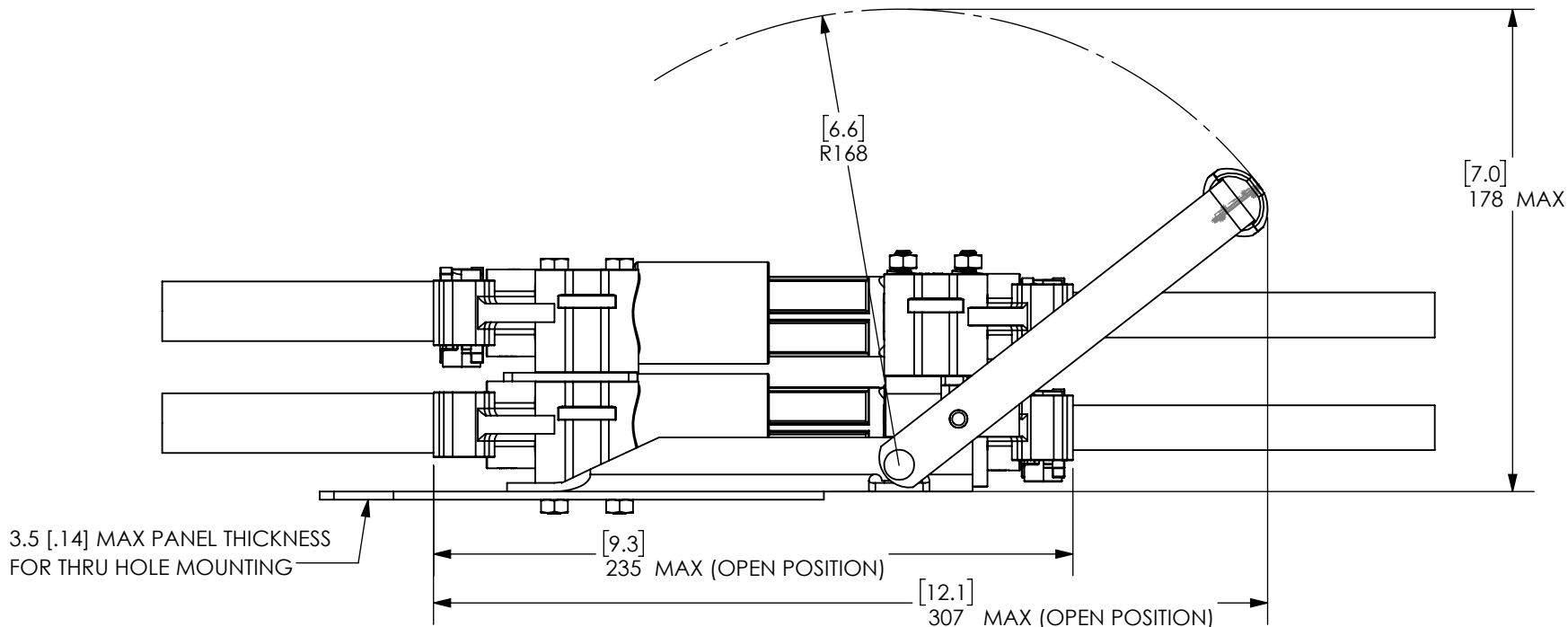
C

B

B

A

A



DIMENSIONS ARE IN: MM [INCH]		<i>APPROVALS</i>			ANDERSON POWER PRODUCTS		
UNLESS OTHERWISE STATED		DRAWN	9/1/2020		TITLE		
TOLERANCES:		CMS		CAT. NO. 993G6: MANUAL RELEASE EBC/ABC 320-DOUBLE STACK, BATTERY SIDE			
DECIMALS (INCH)	DECIMALS (MM)	CHECKED	3/19/2021				
.XX ± .02	.X ± .5	CPD		REV. 0			
SURFACE FINISH:		PM APPRV		SIZE A			
MACHINED	3.2µ [128µin]	CD		DWG NO. 116015S1			
MOLDED	1.6µ [64µin]	QC APPRV		SCALE NONE			
MATERIAL: SEE TABLE		UFN	3/22/2021	CADFILE 05555			
FINISH:		ENG APPRV	3/19/2021	SHEET 2 OF 2			
		SH		-CAD GENERATED DRAWING- DO NOT MANUALLY UPDATE DO NOT SCALE			

8 7 6 5 4 3 2 1