

THE INFORMATION CONTAINED IN THIS DRAWING IS THE SOLE PROPERTY OF ANDERSON POWER PRODUCTS. ANY REPRODUCTION IN PART OR WHOLE WITHOUT THE WRITTEN PERMISSION OF ANDERSON POWER PRODUCTS IS PROHIBITED.

Copyright 2021

ANDERSON POWER PRODUCTS RESERVES THE RIGHT TO ALTER PRODUCT TYPES, THEIR TECHNICAL DATA, DIMENSION, STYLE AND ACCESSORIES WITHOUT PRIOR NOTIFICATION.

ITEM	QTY	P/N	DESCRIPTION	MATERIAL
1	1	EP320-5	CONTACT HOLDER	PBT/PC, ALLOY, BLACK
2	1	160-9	STANDARD VOLTAGE KEY	PBT, GRAY
3	1	EP320-1	PIN HOUSING	PBT/PC, ALLOY, BLACK
4	1	EP320-6A	CABLE CLAMP, TOP	PBT/PC, ALLOY, BLACK
5	1	EP320-7	CABLE CLAMP, BOTTOM	PBT/PC, ALLOY, BLACK
6	2	H1120P46	S.T SCR.#4X3/4 PHIL.PAN HD.STL. ZINC	STEEL
7	1	1S6674	ASSEMBLY INSTRUCTIONS	

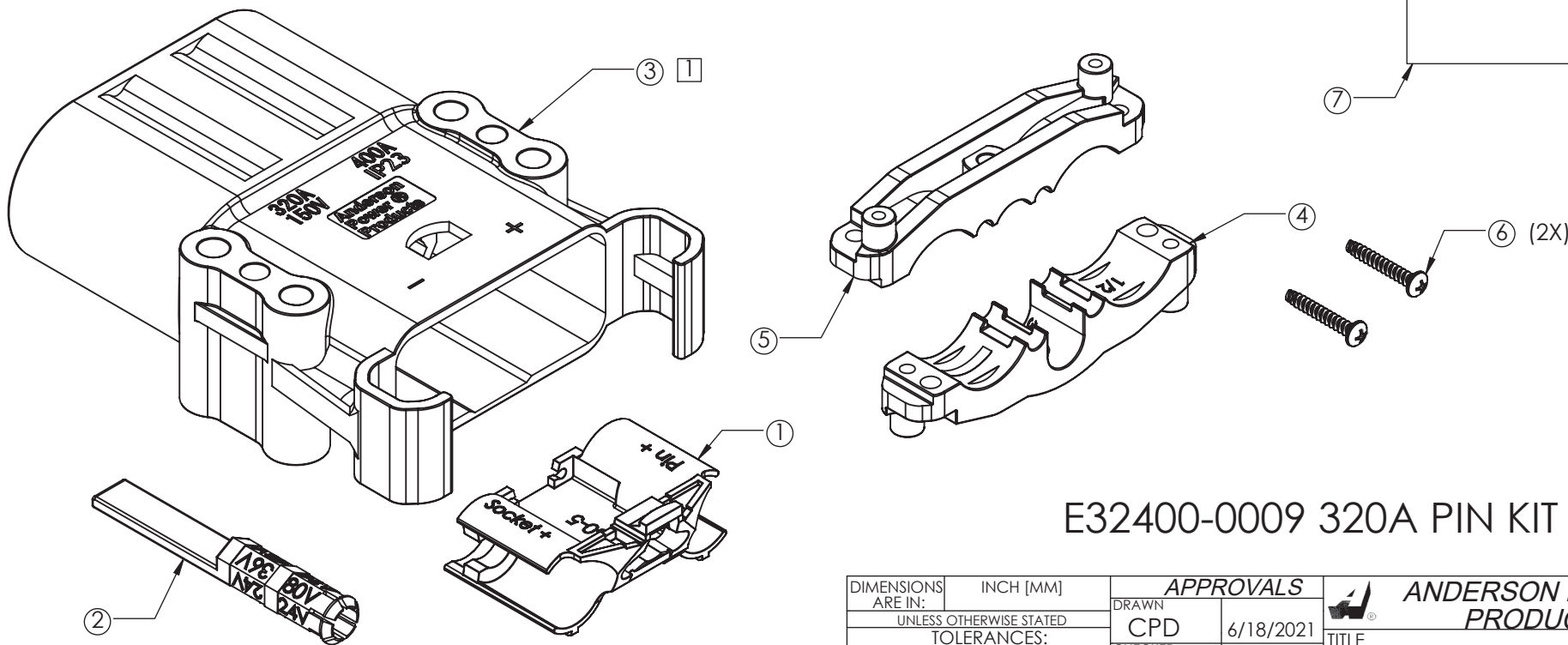
②

②

②

②

ASSEMBLY
INSTRUCTIONS



E32400-0009 320A PIN KIT

REV	DESCRIPTION	APPROV.	DATE
2	ECN 2023-0084 - CHANGED TO BLACK PBT MATERIAL FOR E SERIES	CPD	9/5/2023
1	ECN 2023-0049 - UPDATED FOR EN 1175:2020	CPD	6/23/2023
	REVISIONS		

DIMENSIONS ARE IN:	INCH [MM]	APPROVALS		<p>ANDERSON POWER PRODUCTS</p>	
UNLESS OTHERWISE STATED		DRAWN	6/18/2021		
TOLERANCES:		CHECKED	7/7/2021		
DECIMALS (INCH) DECIMALS (MM) ANGLES		PM APPRV	7/7/2021		
SURFACE FINISH:		QC APPRV	7/9/2021	<p>E SERIES DIN 320 AMP MALE CONNECTOR KIT WITHOUT CONTACTS</p>	
MACHINED 128µin [3.2µ]		ENG APPRV	7/8/2021		
MOLDED 64µin [1.6µ]					
MATERIAL:		SIZE	DWG NO.	REV.	
FINISH:		A	116062S1	2	
		-CAD GENERATED DRAWING- DO NOT MANUALLY UPDATE DO NOT SCALE	SCALE	CADFILE	SHEET
		NONE	05728	1 OF 1	