

8

7

6

5

4

3

2

1

THE INFORMATION CONTAINED IN THIS DRAWING IS THE SOLE PROPERTY OF ANDERSON POWER PRODUCTS. ANY REPRODUCTION IN PART OR WHOLE WITHOUT THE WRITTEN PERMISSION OF ANDERSON POWER PRODUCTS IS PROHIBITED.

Copyright 2022

ANDERSON POWER PRODUCTS RESERVES THE RIGHT TO ALTER PRODUCT TYPES, THEIR TECHNICAL DATA, DIMENSION, STYLE AND ACCESSORIES WITHOUT PRIOR NOTIFICATION.

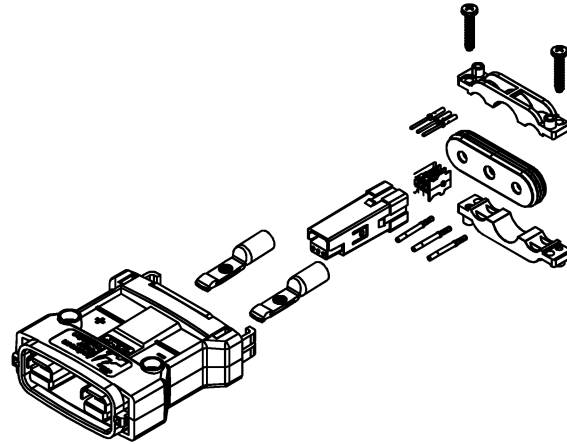
KIT PART NUMBER

KIT DESCRIPTION

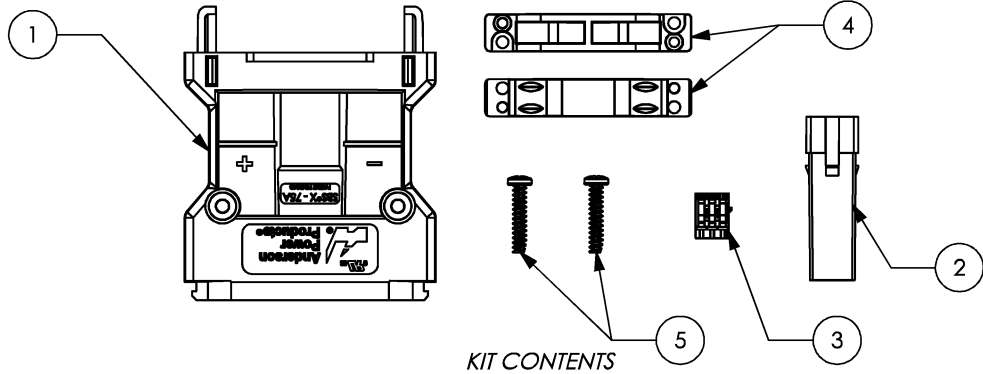
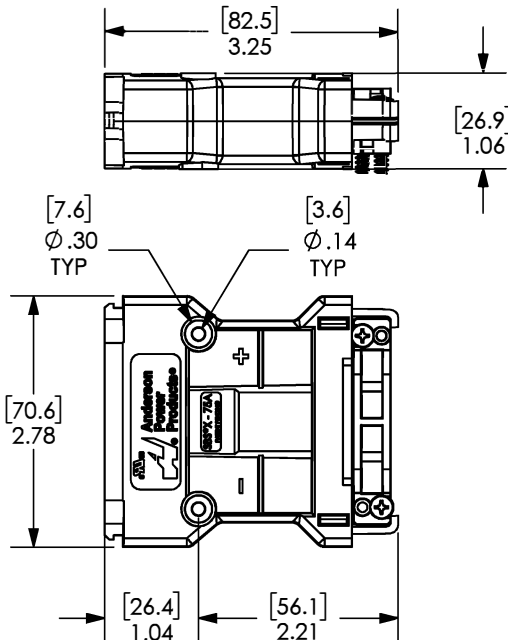
SBSX75A-6AUX-REC-KIT-WHT

CONNECTOR KITS CONTAINING THE CONNECTOR ASSEMBLY, SIGNAL HOUSING, SIGNAL HOLDER, CABLE CLAMPS AND CLAMP SCREWS. KIT PART NUMBER IS UNIQUE TO THE COLOR OF THE SIGNAL HOUSING.

ITEM NO.	COMPONENT	MATERIAL	DESCRIPTION	QTY.
1	SBSX-75A-REC-BLK	PC/PBT	RECEPTACLE HOUSING	1
2	2-8860P1	PC	SIGNAL CONTACT CENTER HOUSING - WHITE	1
3	2-8859P1	PC	SIGNAL CONTACT HOLDER	1
4	2-8841P1	PC/PBT	CABLE CLAMPS	2
5	H1120P62	STAINLESS STEEL	CABLE CLAMP SCREWS	2



EXPLODED VIEW OF FULL ASSEMBLY  
SCALE 1:3



NOTES:

- CONTACTS AND GROMMET ARE SOLD SEPARATELY
- SIGNAL USES PPMX CONTACTS
- ASSEMBLE PER 1S6869

DIMENSIONS ARE IN: INCH [MM]		APPROVALS		ANDERSON POWER PRODUCTS	
UNLESS OTHERWISE STATED		DRAWN EYY 6/29/2022		TITLE	
TOLERANCES: DECIMALS (INCH) DECIMALS (MM) ANGLES		CHECKED CS 6/29/2022		SBS@X-75A 6-AUX IN LINE RECEPTACLE CONNECTOR ASSEMBLY	
.XX ±.02 X ±.5 ±2°		PM APPRV CM 7/5/2022		COA 5486	
SURFACE FINISH:		QC APPRV MV 7/6/2022		PROD. LINE SBS@X-75A	
MACHINED 128µin [3.2µ] ✓		ENG APPRV CD 7/5/2022		SIZE A	
MOLDED 64µin [1.6µ] ✓		SEE TABLE		DWG NO. 116109S1	
FINISH:		-CAD GENERATED DRAWING- DO NOT MANUALLY UPDATE DO NOT SCALE		REV. 0	
3rd ANGLE PROJECTION		SCALE 1:2		CADFILE 05972	
				SHEET 1 OF 1	

REV.	DESCRIPTION	APPRV	DATE
REVISIONS			

8

7

6

5

4

3

2

1