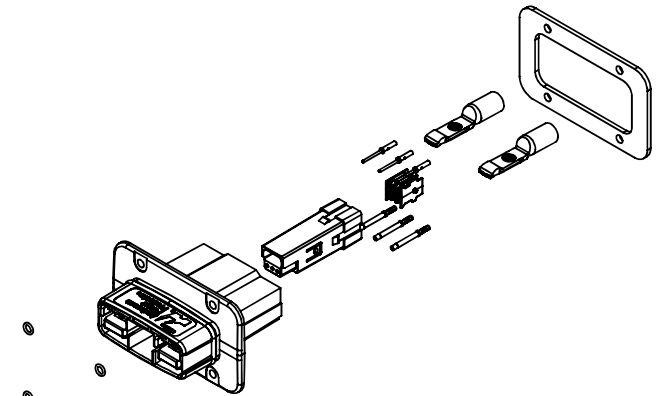


THE INFORMATION CONTAINED IN THIS DRAWING IS THE SOLE PROPERTY OF ANDERSON POWER PRODUCTS. ANY REPRODUCTION IN PART OR WHOLE WITHOUT THE WRITTEN PERMISSION OF ANDERSON POWER PRODUCTS IS PROHIBITED.

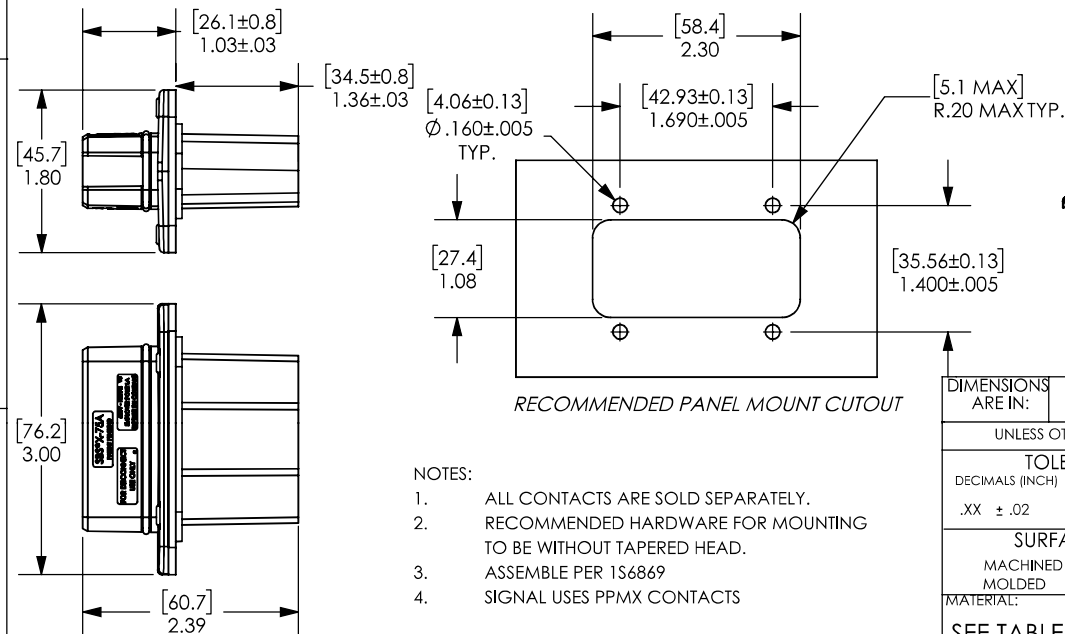
Copyright 2022

ANDERSON POWER PRODUCTS RESERVES THE RIGHT TO ALTER PRODUCT TYPES, THEIR TECHNICAL DATA, DIMENSION, STYLE AND ACCESSORIES WITHOUT PRIOR NOTIFICATION.

KIT PART NUMBER		KITS DESCRIPTION		
SBSX75A-6AUX-PMPLUG-KIT-WHT		CONNECTOR KITS CONTAINING THE CONNECTOR ASSEMBLY, SIGNAL HOUSING, SIGNAL HOLDER, PANEL GASKET AND O-RINGS FOR MOUNTING HARDWARE. KIT PART NUMBER IS UNIQUE TO THE COLOR OF THE SIGNAL HOUSING.		
ITEM NUMBER	COMPONENT PART NUMBER	MATERIAL	PART DESCRIPTION	QTY
1	SBSX75A-PMPLUG-BLK	PC/PBT	PANEL MOUNT PLUG HOUSING	1
2	2-8860P1	PC	SIGNAL CONTACT HOUSING - WHITE	1
3	2-8859P1	PC	SIGNAL CONTACT HOLDER	1
4	108G1	SILICONE	HARDWARE O-RINGS	4
		NBM	PANEL MOUNT GASKET	1

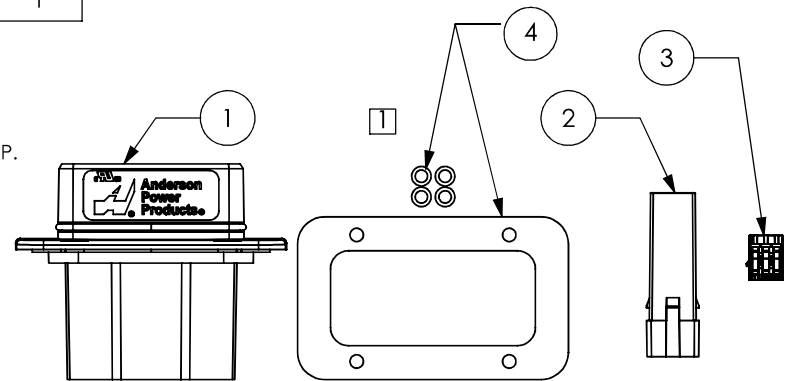


EXPLODED VIEW OF FULL ASSEMBLY
SCALE 1:3



RECOMMENDED PANEL MOUNT CUTOUT

- NOTES:
- ALL CONTACTS ARE SOLD SEPARATELY.
 - RECOMMENDED HARDWARE FOR MOUNTING TO BE WITHOUT TAPERED HEAD.
 - ASSEMBLE PER 1S6869
 - SIGNAL USES PPMX CONTACTS



DIMENSIONS ARE IN: INCH [MM]		APPROVALS		ANDERSON POWER PRODUCTS	
UNLESS OTHERWISE STATED		DRAWN EYY 7/7/2022		TITLE SBS@X-75A 6-AUX PANEL MOUNT PLUG CONNECTOR	
TOLERANCES: DECIMALS (INCH) DECIMALS (MM) ANGLES .XX ±.02 .X ±.5 ±2°		CHECKED CD 7/8/2022		PROD. LINE (G) Multipole	
SURFACE FINISH: MACHINED 128µin [3.2µ] ✓ MOLDED 64µin [1.6µ] ✓		PM APPR CM 7/13/2022		COA 5486	
MATERIAL: SEE TABLE		QC APPR UN 7/15/2022		DWG NO. 116111S1	
FINISH:		ENG APPR CS 7/15/2022		REV. 1	
3rd ANGLE PROJECTION		-CAD GENERATED DRAWING- DO NOT MANUALLY UPDATE DO NOT SCALE		SCALE NONE	
				CADFILE 05977	
				SHEET 1 OF 1	

REV.	DESCRIPTION	APPRV	DATE
1	ECN 2022-0087 - CHANGED LINE ITEMS 4 AND 5 TO 108G1	CPD	12/13/2022
REVISIONS			