

8

7

6

5

4

3

2

1

THE INFORMATION CONTAINED IN THIS DRAWING IS THE SOLE PROPERTY OF ANDERSON POWER PRODUCTS. ANY REPRODUCTION IN PART OR WHOLE WITHOUT THE WRITTEN PERMISSION OF ANDERSON POWER PRODUCTS IS PROHIBITED.

Copyright 2022

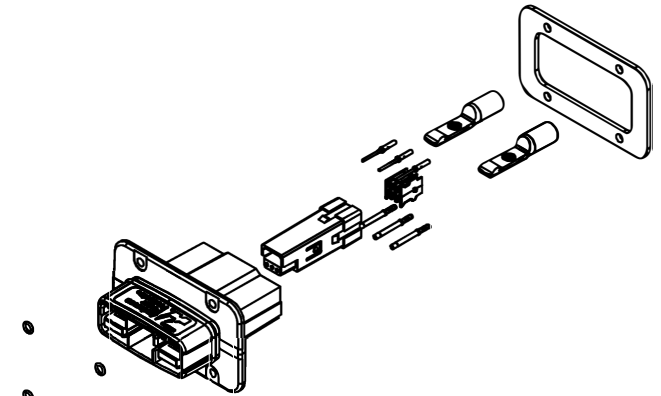
ANDERSON POWER PRODUCTS RESERVES THE RIGHT TO ALTER PRODUCT TYPES, THEIR TECHNICAL DATA, DIMENSION, STYLE AND ACCESSORIES WITHOUT PRIOR NOTIFICATION.

KIT PART NUMBER

KITS DESCRIPTION

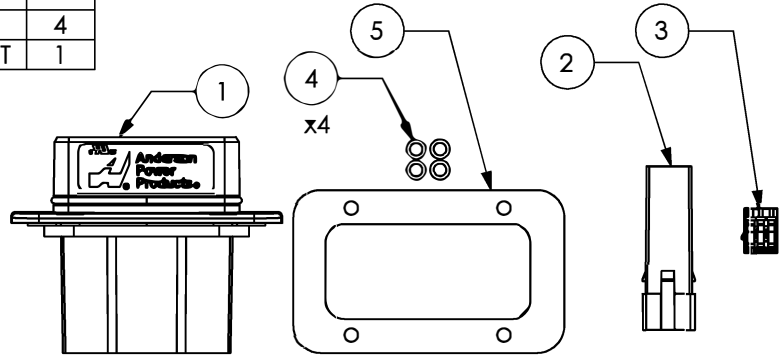
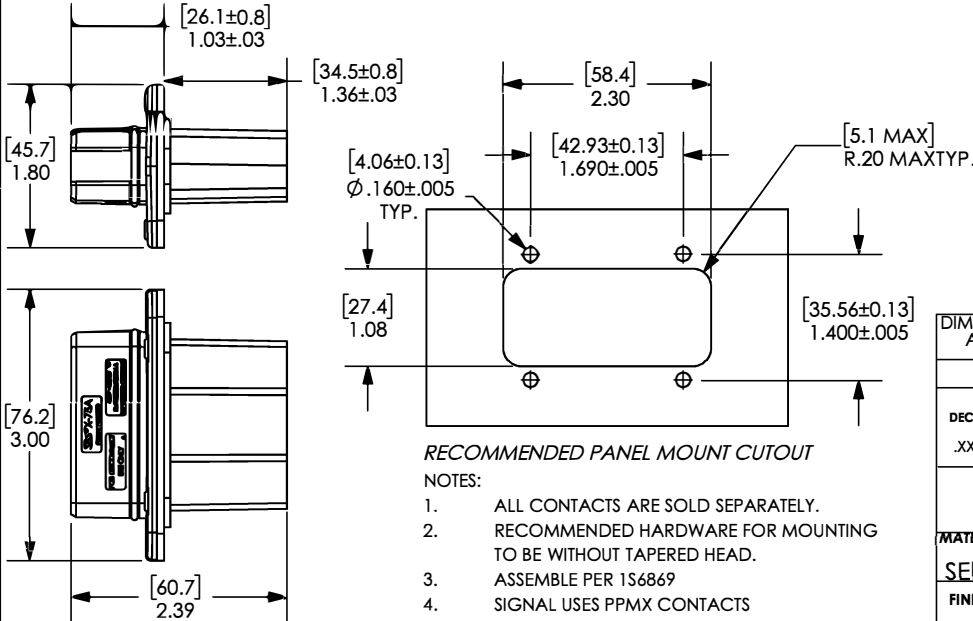
SBSX75A-6AUX-PMPLUG-KIT-WHT

CONNECTOR KITS CONTAINING THE CONNECTOR ASSEMBLY, SIGNAL HOUSING, SIGNAL HOLDER, PANEL GASKET AND O-RINGS FOR MOUNTING HARDWARE. KIT PART NUMBER IS UNIQUE TO THE COLOR OF THE SIGNAL HOUSING.



EXPLODED VIEW OF FULL ASSEMBLY SCALE 1:3

ITEM NUMBER	COMPONENT PART NUMBER	MATERIAL	PART DESCRIPTION	QTY
1	SBSX75A-PMPLUG-BLK	PC/PBT	PANEL MOUNT PLUG HOUSING	1
2	2-8860P1	PC	SIGNAL CONTACT HOUSING - WHITE	1
3	2-8859P1	PC	SIGNAL CONTACT HOLDER	1
4	115233P14	SILICONE	HARDWARE O-RINGS	4
5	116008P1	NBR	PANEL MOUNT GASKET	1



DIMENSIONS ARE IN: INCH [MM]		APPROVALS		ANDERSON POWER PRODUCTS	
UNLESS OTHERWISE STATED		DRAWN EYY 7/7/2022		TITLE SBS@X - 75A 6-AUX PANEL MOUNT PLUG CONNECTOR	
TOLERANCES: DECIMALS (INCH) DECIMALS (MM) ANGLES		CHECKED CD 7/8/2022		COA 5486	
.XX ± .02 X ± .5 ± 2°		PM APPR CM 7/13/2022		PROD. LINE SBS@X-75A	
SURFACE FINISH:		QC APPR UN 7/15/2022		SIZE A	
MACHINED 128µin [3.2µ] ✓		ENG APPR CS 7/15/2022		DWG NO. 116111S1	
MOLDED 64µin [1.6µ] ✓		REV. 0		SCALE NONE	
MATERIAL: SEE TABLE		-CAD GENERATED DRAWING- DO NOT MANUALLY UPDATE DO NOT SCALE		CADFILE 05977	
FINISH:		SHEET 1 OF 1			

REV.	DESCRIPTION	APPRV	DATE
REVISIONS			

8

7

6

5

4

3

2

1