

8

7

6

5

4

3

2

1

THE INFORMATION CONTAINED IN THIS DRAWING IS THE SOLE PROPERTY OF ANDERSON POWER PRODUCTS. ANY REPRODUCTION IN PART OR WHOLE WITHOUT THE WRITTEN PERMISSION OF ANDERSON POWER PRODUCTS IS PROHIBITED.

Copyright 2022

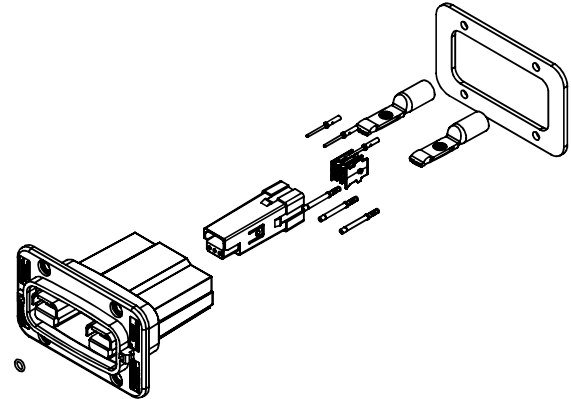
ANDERSON POWER PRODUCTS RESERVES THE RIGHT TO ALTER PRODUCT TYPES, THEIR TECHNICAL DATA, DIMENSION, STYLE AND ACCESSORIES WITHOUT PRIOR NOTIFICATION.

KIT PART NUMBER

KIT DESCRIPTION

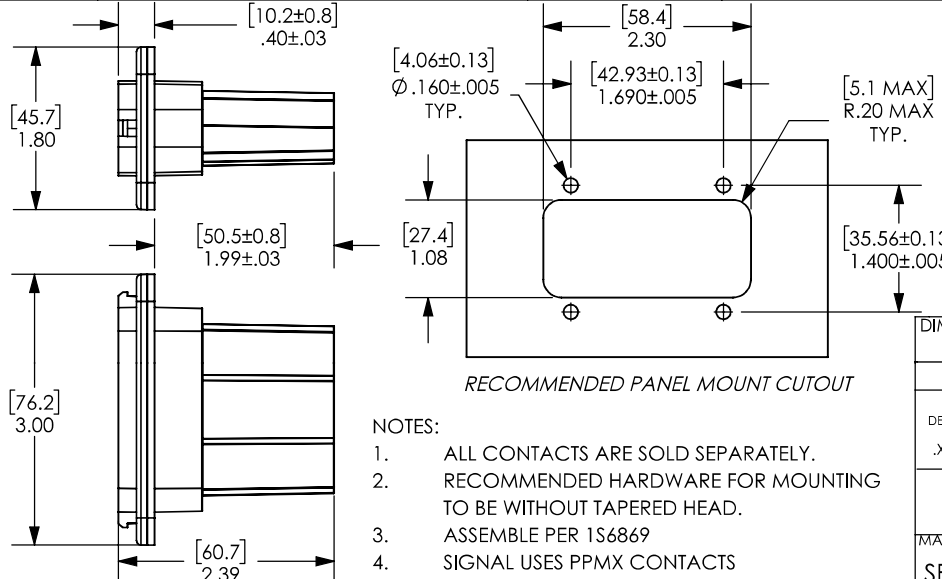
SBSX75A-6AUX-PMREC-KIT-WHT

CONNECTOR KITS CONTAINING THE CONNECTOR ASSEMBLY, SIGNAL HOUSING, SIGNAL HOLDER, PANEL GASKET AND O-RINGS FOR MOUNTING HARDWARE. KIT PART NUMBER IS UNIQUE TO THE COLOR OF THE SIGNAL HOUSING.



EXPLODED VIEW OF FULL ASSEMBLY SCALE 1:3

ITEM NUMBER	COMPONENT PART NUMBER	MATERIAL	PART DESCRIPTION	QTY
1	SBSX75A-PMREC-BLK	PC/PBT	PANEL MOUNT RECEPTACLE HOUSING	1
2	2-8860P1	PC	SIGNAL CONTACT HOUSING- WHITE	1
3	2-8859P1	PC	SIGNAL CONTACT HOLDER	1
4	108G1	SILICONE	HARDWARE O-RINGS	4
		NBM	PANEL MOUNT GASKET	1



RECOMMENDED PANEL MOUNT CUTOUT

- NOTES:
1. ALL CONTACTS ARE SOLD SEPARATELY.
 2. RECOMMENDED HARDWARE FOR MOUNTING TO BE WITHOUT TAPERED HEAD.
 3. ASSEMBLE PER 1S6869
 4. SIGNAL USES PPMX CONTACTS

REV.	DESCRIPTION	APPRV	DATE
1	ECN 2022-0087 - CHANGED LINE ITEMS 4 AND 5 TO 108G1	CPD	12/13/2022
REVISIONS			

DIMENSIONS ARE IN: INCH [MM]		APPROVALS		ANDERSON POWER PRODUCTS	
UNLESS OTHERWISE STATED		DRAWN EYY 7/7/2022		TITLE SBS@X-75A 6-AUX PANEL MOUNT RECEPTACLE CONNECTOR	
TOLERANCES: DECIMALS (INCH) DECIMALS (MM) ANGLES		CHECKED CD 7/7/2022		COA 5486	
.XX ± .02 .X ± .5 ± 2°		PM APPR CM 7/13/2022		PROD. LINE (G) Multipole	
SURFACE FINISH: MACHINED 128µin [3.2µ] ✓ MOLED 64µin [1.6µ] ✓		QC APPR UN 7/15/2022		SIZE A	
MATERIAL: SEE TABLE		ENG APPR CS 7/15/2022		DWG NO. 116112S1	
FINISH:		-CAD GENERATED DRAWING- DO NOT MANUALLY UPDATE DO NOT SCALE		REV. 1	
3rd ANGLE PROJECTION		SCALE NONE		SHEET 1 OF 1	
		CADFILE 05978			

8

7

6

5

4

3

2

1