

8

7

6

5

4

3

2

1

THE INFORMATION CONTAINED IN THIS DRAWING IS THE SOLE PROPERTY OF ANDERSON POWER PRODUCTS. ANY REPRODUCTION IN PART OR WHOLE WITHOUT THE WRITTEN PERMISSION OF ANDERSON POWER PRODUCTS IS PROHIBITED.

Copyright 2022

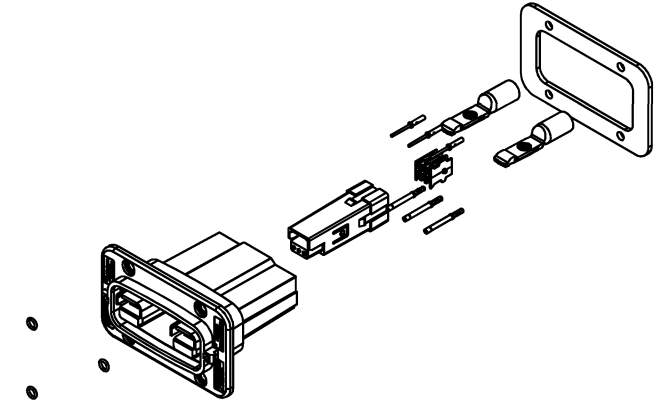
ANDERSON POWER PRODUCTS RESERVES THE RIGHT TO ALTER PRODUCT TYPES, THEIR TECHNICAL DATA, DIMENSION, STYLE AND ACCESSORIES WITHOUT PRIOR NOTIFICATION.

KIT PART NUMBER

KIT DESCRIPTION

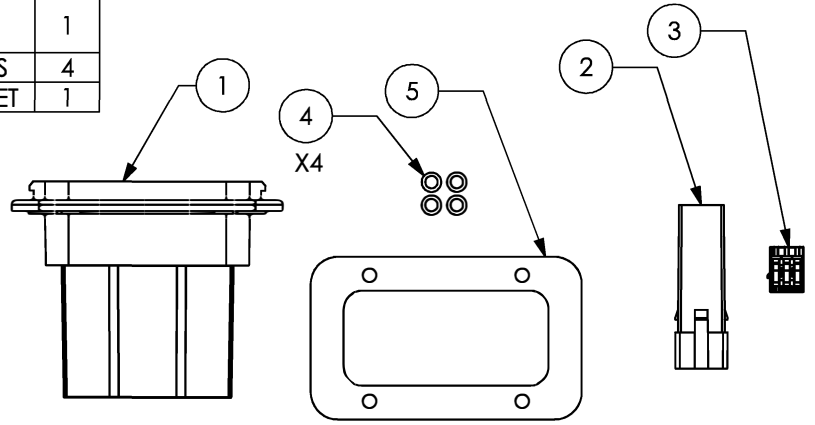
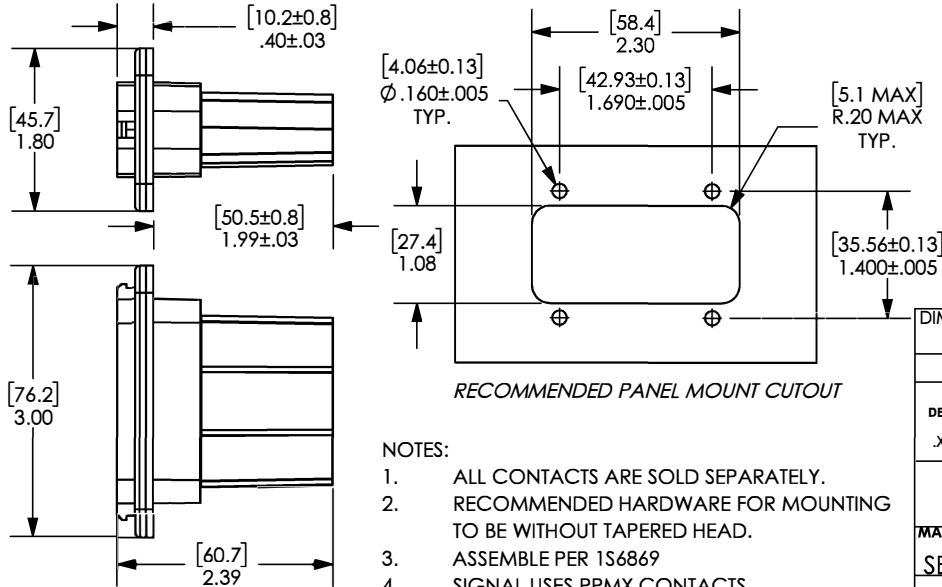
SBSX75A-6AUX-PMREC-KIT-WHT

CONNECTOR KITS CONTAINING THE CONNECTOR ASSEMBLY, SIGNAL HOUSING, SIGNAL HOLDER, PANEL GASKET AND O-RINGS FOR MOUNTING HARDWARE. KIT PART NUMBER IS UNIQUE TO THE COLOR OF THE SIGNAL HOUSING.



EXPLODED VIEW OF FULL ASSEMBLY SCALE 1:3

ITEM NUMBER	COMPONENT PART NUMBER	MATERIAL	PART DESCRIPTION	QTY
1	SBSX75A-PMREC-BLK	PC/PBT	PANEL MOUNT RECEPTACLE HOUSING	1
2	2-8860P1	PC	SIGNAL CONTACT HOUSING- WHITE	1
3	2-8859P1	PC	SIGNAL CONTACT HOLDER	1
4	115233P14	SILICONE	HARDWARE O-RINGS	4
5	116008P1	NBR	PANEL MOUNT GASKET	1



DIMENSIONS ARE IN:		INCH [MM]		APPROVALS		ANDERSON POWER PRODUCTS	
UNLESS OTHERWISE STATED				DRAWN EYY		7/17/2022	
TOLERANCES:				CHECKED CD		7/17/2022	
DECIMALS (INCH) DECIMALS (MM) ANGLES				PM APPR CM		7/13/2022	
.XX ± .02 X ± .5 ± 2°				QC APPR UN		7/15/2022	
SURFACE FINISH:				ENG APPR CS		7/15/2022	
MACHINED 128µin [3.2µ] ✓				COA 5486		PROD. LINE SBS@X-75A	
MOLDED 64µin [1.6µ] ✓				SIZE A		DWG NO. 116112S1	
MATERIAL: SEE TABLE				REV. 0		SCALE NONE	
FINISH:				CADFILE 05978		SHEET 1 OF 1	

REV.	DESCRIPTION	APPRV	DATE
REVISIONS			

8

7

6

5

4

3

2

1