

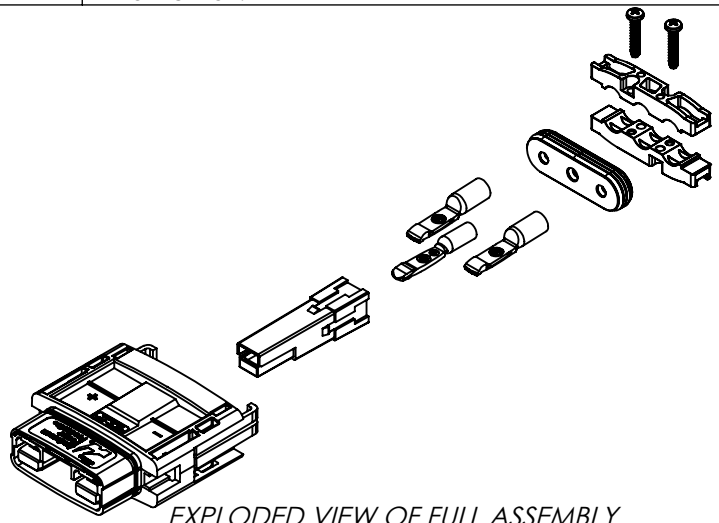
8 7 6 5 4 3 2 1

THE INFORMATION CONTAINED IN THIS DRAWING IS THE SOLE PROPERTY OF ANDERSON POWER PRODUCTS. ANY REPRODUCTION IN PART OR WHOLE WITHOUT THE WRITTEN PERMISSION OF ANDERSON POWER PRODUCTS IS PROHIBITED.

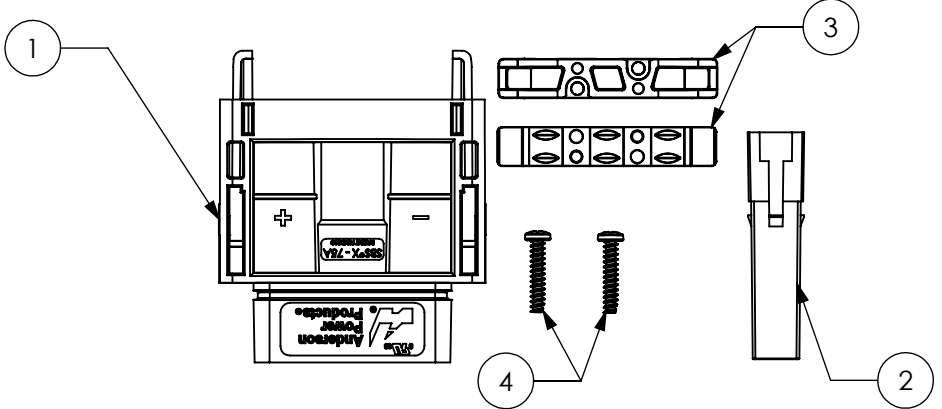
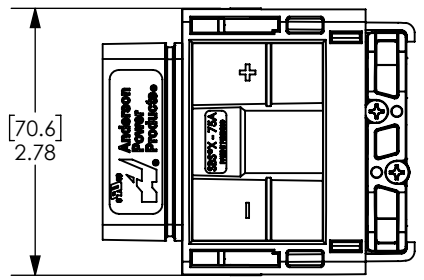
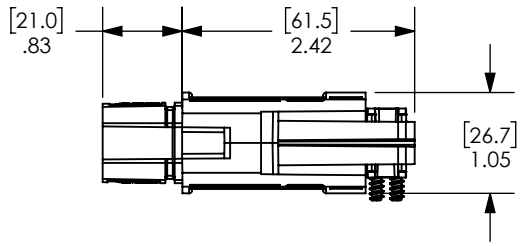
Copyright 2022

ANDERSON POWER PRODUCTS RESERVES THE RIGHT TO ALTER PRODUCT TYPES, THEIR TECHNICAL DATA, DIMENSION, STYLE AND ACCESSORIES WITHOUT PRIOR NOTIFICATION.

KIT PART NUMBER		KIT DESCRIPTION		
SBSX75A-GND-PLUG-KIT-GRN		CONNECTOR KITS CONTAINING THE CONNECTOR ASSEMBLY, GROUND HOUSING, CABLE CLAMPS AND CLAMP SCREWS.		
ITEM NUMBER	COMPONENT PART NUMBER	MATERIAL	PART DESCRIPTION	QTY.
1	SBSX75A-PLUG-BLK	PC/PBT	SBSX-75A PLUG HOUSING W/ LATCHES & O-RING	1
2	B02893G1	PC/ STAINLESS STEEL	GROUND HOUSING ASSEMBLY - GREEN	1
3	2-8863P1	PC/PBT	GROUND CABLE CLAMPS	2
4	H1120P62	STAINLESS STEEL	CABLE CLAMP SCREWS	2



EXPLODED VIEW OF FULL ASSEMBLY
SCALE 1:3



- NOTES:
- CONTACTS AND GROMMET ARE SOLD SEPARATELY
 - ASSEMBLE PER 1S6859

DIMENSIONS ARE IN:		INCH [MM]		APPROVALS		ANDERSON POWER PRODUCTS	
UNLESS OTHERWISE STATED				DRAWN		TITLE	
TOLERANCES:				JWH		SBS@X-75A GROUND PLUG CONNECTOR ASSEMBLY	
DECIMALS (INCH)		DECIMALS (MM)		12/5/2022		CHECKED	
.XX ±.02		.X ±.5		CPD		12/21/2022	
ANGLES				PM APPRV		QC APPRV	
±2°				CM		UFN	
SURFACE FINISH:				12/30/2022		COA	
MACHINED		128µin [3.2µ]		✓		4439	
MOLDED		64µin [1.6µ]		✓		PROD. LINE	
MATERIAL:				1/4/2023		SBS@X-75A	
SEE TABLE				ENG APPRV		SIZE	
FINISH:				SH		A	
3rd ANGLE PROJECTION				1/4/2023		DWG NO.	
-CAD GENERATED DRAWING- DO NOT MANUALLY UPDATE DO NOT SCALE				SCALE		116140S1	
				1:2		REV. 1	
				CADFILE		SHEET	
				06073		1 OF 1	

REV.	DESCRIPTION	APPRV	DATE
1	ECN 2023-0015 UPDATE P/N & NOTES	JWH	2/24/2023
REVISIONS			

8 7 6 5 4 3 2 1