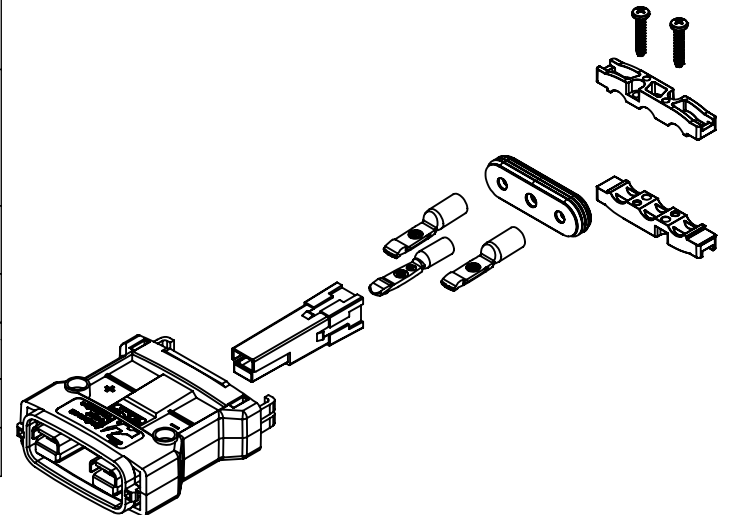


THE INFORMATION CONTAINED IN THIS DRAWING IS THE SOLE PROPERTY OF ANDERSON POWER PRODUCTS. ANY REPRODUCTION IN PART OR WHOLE WITHOUT THE WRITTEN PERMISSION OF ANDERSON POWER PRODUCTS IS PROHIBITED.

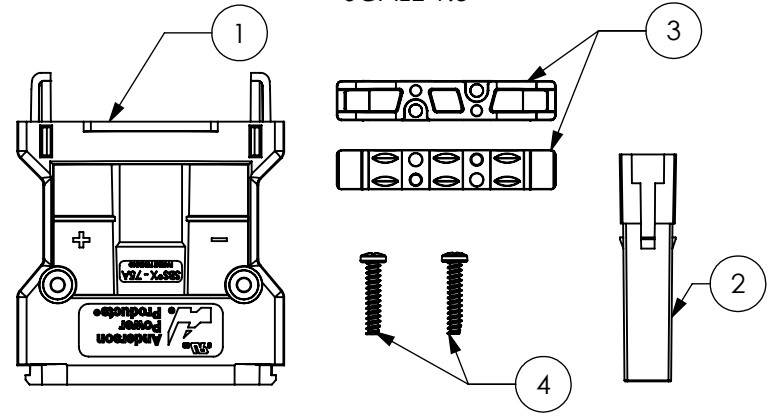
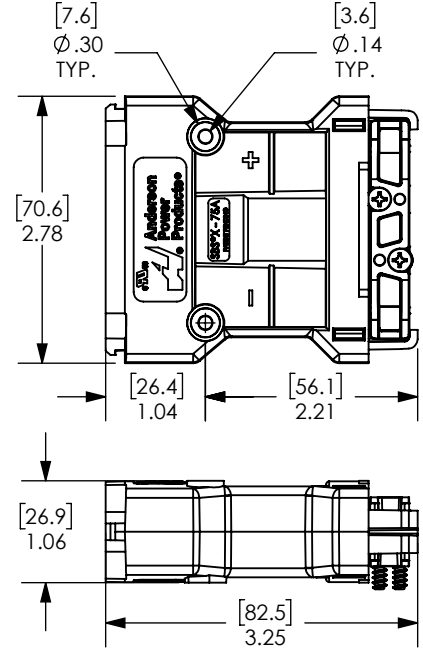
Copyright 2022

ANDERSON POWER PRODUCTS RESERVES THE RIGHT TO ALTER PRODUCT TYPES, THEIR TECHNICAL DATA, DIMENSION, STYLE AND ACCESSORIES WITHOUT PRIOR NOTIFICATION.

KIT PART NUMBER		KITS DESCRIPTION		
SBSX75A-GND-REC-KIT-GRN		CONNECTOR KITS CONTAINING THE CONNECTOR ASSEMBLY, CENTER GROUND HOUSING, CABLE CLAMPS AND CLAMP SCREWS.		
ITEM NUMBER	COMPONENT PART NUMBER	MATERIAL	PART DESCRIPTION	QTY
1	SBSX75A-REC-BLK	PC/PBT	RECEPTACLE HOUSING	1
2	B02893G1	PC/ STAINLESS STEEL	GROUND HOUSING ASSEMBLY - GREEN	1
3	2-8863P1	PC/PBT	GROUND CABLE CLAMPS	2
4	H1120P62	STAINLESS STEEL	CABLE CLAMP SCREWS	2



EXPLODED VIEW OF FULL ASSEMBLY
SCALE 1:3



- NOTES:
- CONTACTS AND GROMMET ARE SOLD SEPARATELY
 - ASSEMBLE PER 1S6859

DIMENSIONS ARE IN: INCH [MM]		APPROVALS		ANDERSON POWER PRODUCTS	
UNLESS OTHERWISE STATED		DRAWN JWH 12/5/2022		TITLE	
TOLERANCES: DECIMALS (INCH) DECIMALS (MM) ANGLES		CHECKED CPD 1/4/2023		SBS@X - 75A GROUND RECEPTACLE ASSEMBLY	
.XX ±.02 .X ±.5 ±2°		PM APPRV CM 1/5/2023		COA 4439 PROD. LINE SBS@X-75A	
SURFACE FINISH: MACHINED 128µin [3.2µ] ✓ MOLDED 64µin [1.6µ] ✓		QC APPRV MV 1/5/2023		SIZE A DWG NO. 116141S1 REV. 1	
MATERIAL: SEE TABLE		ENG APPRV SH 1/5/2023		SCALE 1:2 CADFILE 06074 SHEET 1 OF 1	
FINISH:		-CAD GENERATED DRAWING- DO NOT MANUALLY UPDATE DO NOT SCALE			

REV.	DESCRIPTION	APPRV	DATE
1	ECN 2023-0015 UPDATE P/N & NOTES	JWH	2/24/2023
REVISIONS			