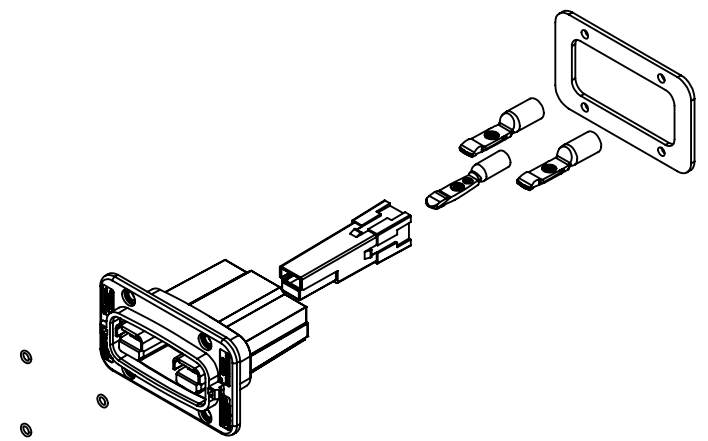


THE INFORMATION CONTAINED IN THIS DRAWING IS THE SOLE PROPERTY OF ANDERSON POWER PRODUCTS. ANY REPRODUCTION IN PART OR WHOLE WITHOUT THE WRITTEN PERMISSION OF ANDERSON POWER PRODUCTS IS PROHIBITED.

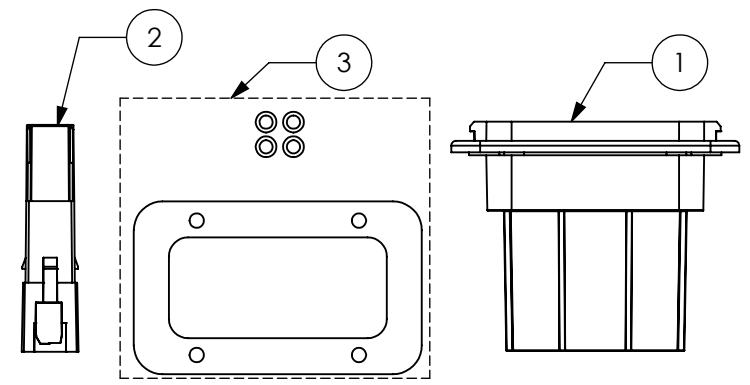
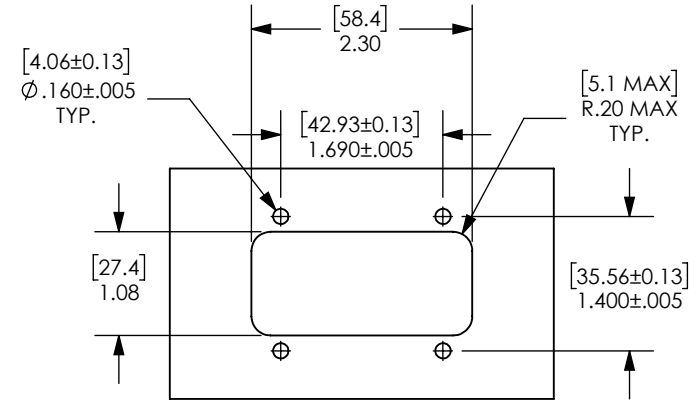
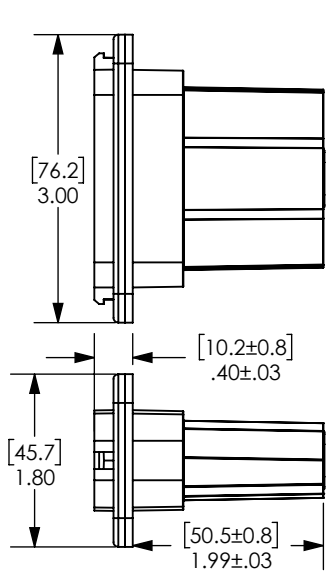
Copyright 2022

ANDERSON POWER PRODUCTS RESERVES THE RIGHT TO ALTER PRODUCT TYPES, THEIR TECHNICAL DATA, DIMENSION, STYLE AND ACCESSORIES WITHOUT PRIOR NOTIFICATION.

KIT PART NUMBER		KITS DESCRIPTION		
SBSX75A-GND-PMREC-KIT-GRN		CONNECTOR KITS CONTAINING THE CONNECTOR ASSEMBLY, CENTER GROUND HOUSING AND SEALING KIT.		
ITEM NUMBER	COMPONENT PART NUMBER	MATERIAL	PART DESCRIPTION	QTY
1	SBSX75A-PMREC-BLK	PC/PBT	PANEL MOUNT RECEPTACLE HOUSING	1
2	B02893G1	PC/ STAINLESS STEEL	GROUND HOUSING ASSEMBLY - GREEN	1
4	108G1	SILICONE/NBR	SEALING KIT WITH GASKET AND O-RINGS	2



EXPLODED VIEW OF FULL ASSEMBLY
SCALE 1:3



- NOTES:
- CONTACTS ARE SOLD SEPARATELY
 - ASSEMBLE PER 1S6859
 - RECOMMENDED HARDWARE FOR MOUNTING TO BE WITHOUT TAPERED HEAD.

DIMENSIONS ARE IN:		INCH [MM]		APPROVALS		ANDERSON POWER PRODUCTS	
UNLESS OTHERWISE STATED				DRAWN		TITLE	
TOLERANCES:				JWH	12/5/2022	SBS@X - 75A	
DECIMALS (INCH)	DECIMALS (MM)	ANGLES		CHECKED	1/4/2023	GROUND PANEL MOUNT RECEPTACLE ASSEMBLY	
.XX ±.02	.X ±.5	±2°		PM APPRV			
SURFACE FINISH:				CM	1/5/2023		
MACHINED 128µin [3.2µ]				QC APPRV			
MOLDED 64µin [1.6µ]				MV	1/5/2023	COA	PROD. LINE
MATERIAL:				SH	1/5/2023	4439	SBS@X-75A
SEE TABLE				ENG APPRV		SIZE	DWG NO.
FINISH:						A	116142S1
3rd ANGLE PROJECTION				-CAD GENERATED DRAWING- DO NOT MANUALLY UPDATE DO NOT SCALE		SCALE	CADFILE
						1:2	06076
							SHEET
							1 OF 1

1	ECN 2023-0015 UPDATE P/N & NOTES	JWH	2/24/2023
REV.	DESCRIPTION	APPRV	DATE
REVISIONS			