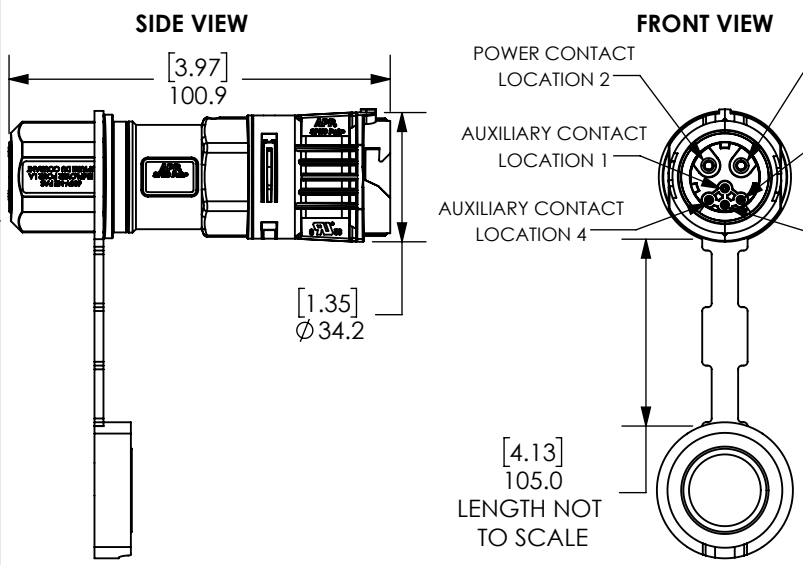
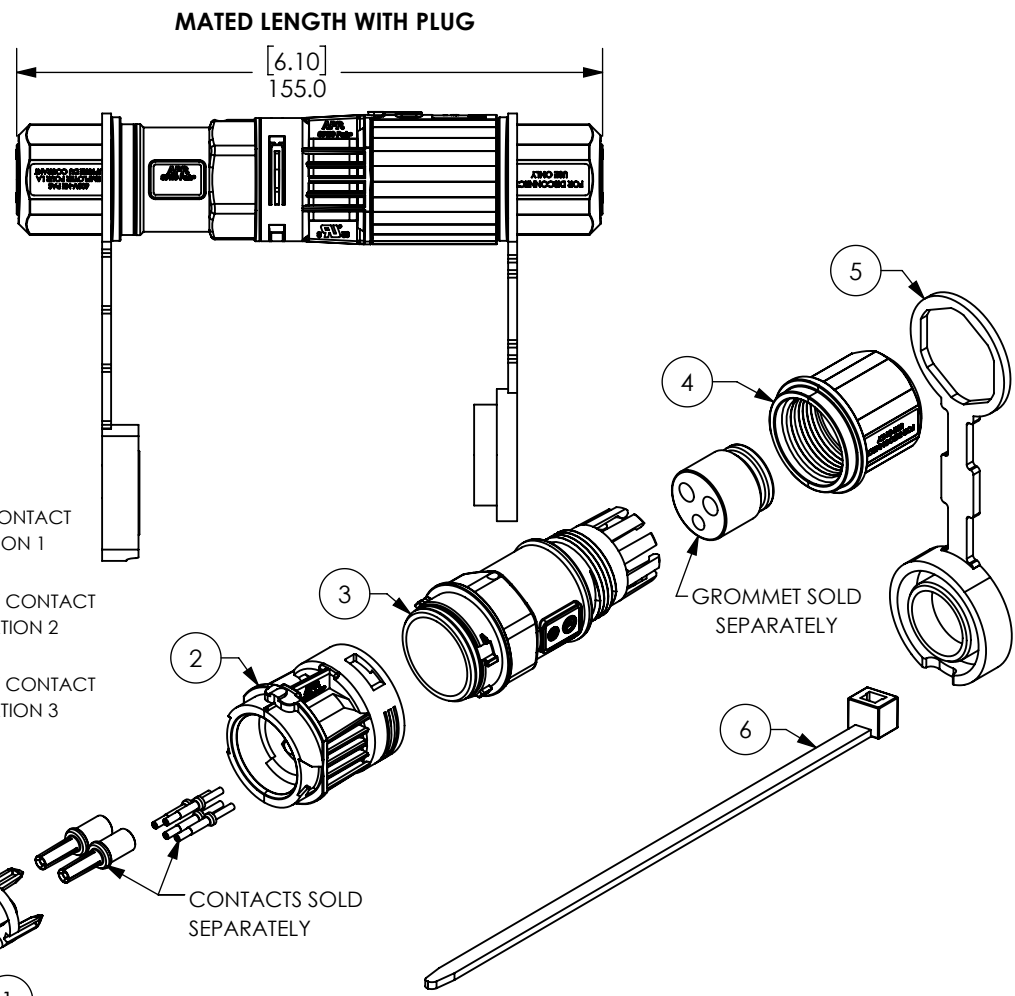


THE INFORMATION CONTAINED IN THIS DRAWING IS THE SOLE PROPERTY OF ANDERSON POWER PRODUCTS. ANY REPRODUCTION IN PART OR WHOLE WITHOUT THE WRITTEN PERMISSION OF ANDERSON POWER PRODUCTS IS PROHIBITED.

**Copyright 2024**

ANDERSON POWER PRODUCTS RESERVES THE RIGHT TO ALTER PRODUCT TYPES, THEIR TECHNICAL DATA, DIMENSION, STYLE AND ACCESSORIES WITHOUT PRIOR NOTIFICATION.

KIT PART NUMBER	KIT DESCRIPTION		
SK6-034M06	CONNECTOR KIT CONTAINING WIRED FEMALE RECEPTACLE CONNECTOR ASSEMBLY		
ITEM NUMBER	PART DESCRIPTION	MATERIAL	QTY
1	SOCKET CONTACT RETAINER	PC	1
2	INLINE RECEPTACLE HOUSING	PBT/PC	1
3	INLINE RECEPTACLE CABLE GLAND W/ O-RING	PBT/PC	1
4	COMPRESSION NUT	PBT/PC	1
5	RECEPTACLE FLEXIBLE COVER	SANTOPRENE	1
6	203MM X 3.6MM CABLE TIE	POLYAMIDE	1



- NOTES:**
- INGRESS PROTECTION: IP68 IN MATED CONDITION  
\*COVER IP20 RATED WHEN CLOSED
  - CONTACTS AND GROMMET SOLD SEPARATELY
  - CONTACTS AVAILABLE AS CRIMP OR SOLDER TERMINATIONS
  - MAX INSULATION DIAMETER:  
POWER: 6.73MM [.265in]  
AUX: 1.98 MM [.078in]

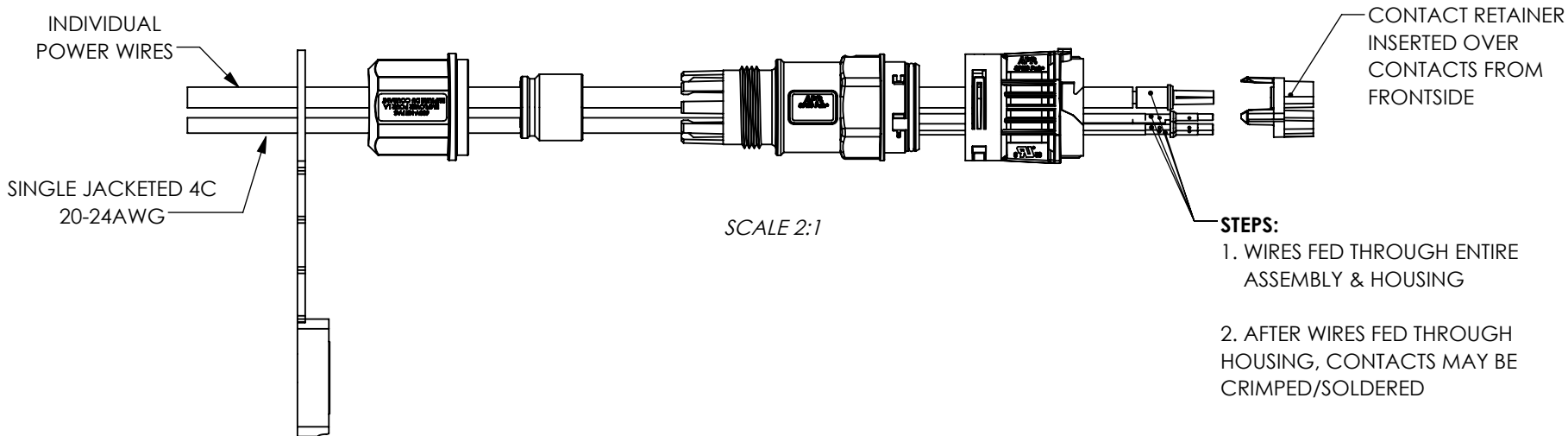
DIMENSIONS ARE IN:		MM [INCH]		<b>APPROVALS</b>		<b>ANDERSONPOWER™</b>	
UNLESS OTHERWISE STATED							
TOLERANCES:				DRAWN	AJL	1/5/2024	
DECIMALS (INCH)	DECIMALS (MM)	ANGLES		CHECKED	CPD	5/10/2024	
.XX	±.02	.X	±.5	±2°	MKT APPRV	CM	5/10/2024
SURFACE FINISH:				QC APPRV	UFN	5/13/2024	
MACHINED 3.2μ [128μin] ✓				ENG APPRV	SH	5/13/2024	
MOLDED 1.6μ [64μin] ✓				SEE TABLE		COA	4357
MATERIAL:				PROD. LINE		SPEC PAK	
FINISH:				SIZE	A	DWG NO.	116169S1
REVISIONS				SCALE	1:2	CADFILE	06182
3rd ANGLE PROJECTION				-CAD GENERATED DRAWING- DO NOT MANUALLY UPDATE DO NOT SCALE		SHEET	1 OF 2

THE INFORMATION CONTAINED IN THIS DRAWING IS THE SOLE PROPERTY OF ANDERSON POWER PRODUCTS. ANY REPRODUCTION IN PART OR WHOLE WITHOUT THE WRITTEN PERMISSION OF ANDERSON POWER PRODUCTS IS PROHIBITED.

**Copyright 2024**

ANDERSON POWER PRODUCTS RESERVES THE RIGHT TO ALTER PRODUCT TYPES, THEIR TECHNICAL DATA, DIMENSION, STYLE AND ACCESSORIES WITHOUT PRIOR NOTIFICATION.

## WIRE TERMINATION SEQUENCE FOR ASSEMBLY



**STEPS:**

1. WIRES FED THROUGH ENTIRE ASSEMBLY & HOUSING
2. AFTER WIRES FED THROUGH HOUSING, CONTACTS MAY BE CRIMPED/SOLDERED

DIMENSIONS ARE IN:		MM [INCH]		<b>ANDERSONPOWER™</b>	
UNLESS OTHERWISE STATED					
TOLERANCES:					
DECIMALS (INCH)	DECIMALS (MM)	ANGLES		TITLE 6P MINI SPEC PAK® INLINE FEMALE RECEPTACLE KIT	
.XX ± .02	.X ± .5	±2°			
SURFACE FINISH:					
MACHINED	3.2µ [128µin]	✓		COA NO. 4357	
MOLDED	1.6µ [64µin]	✓			
MATERIAL: SEE TABLE					
FINISH:		SIZE	DWG NO.	REV.	
		A	116169S1	0	
3rd ANGLE PROJECTION		SCALE	CADFILE	SHEET	
		NONE	06182	2 OF 2	