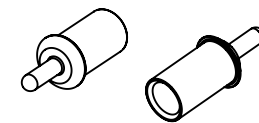


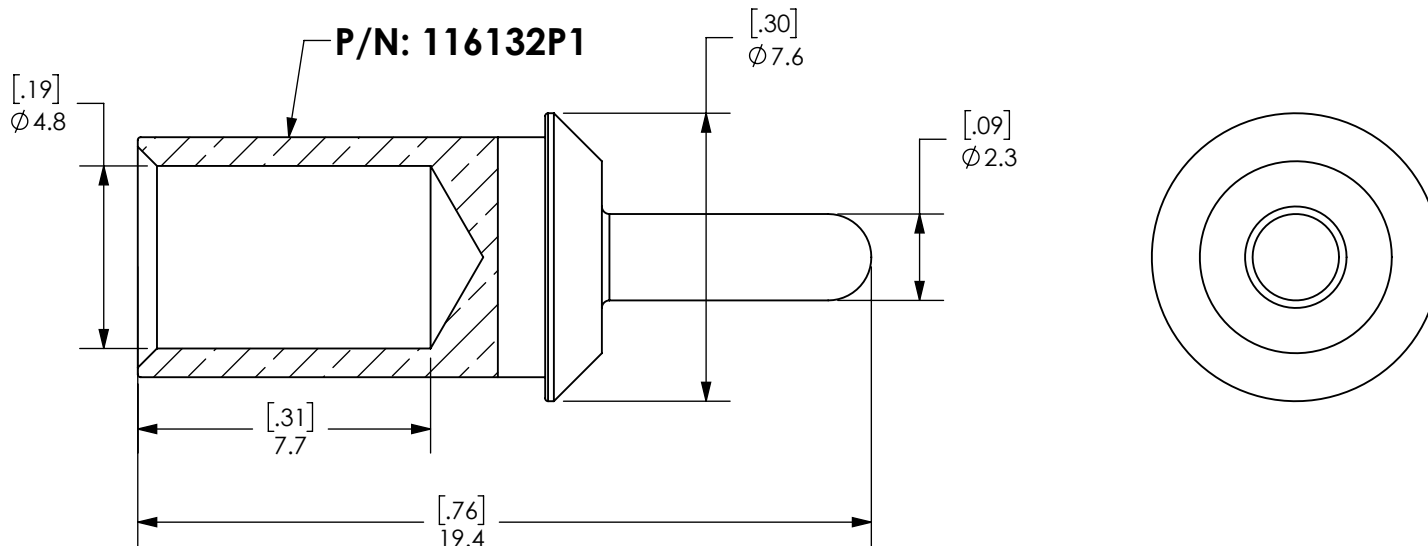
THE INFORMATION CONTAINED IN THIS DRAWING IS THE SOLE PROPERTY OF ANDERSON POWER PRODUCTS. ANY REPRODUCTION IN PART OR WHOLE WITHOUT THE WRITTEN PERMISSION OF ANDERSON POWER PRODUCTS IS PROHIBITED.

**Copyright 2024**

ANDERSON POWER PRODUCTS RESERVES THE RIGHT TO ALTER PRODUCT TYPES, THEIR TECHNICAL DATA, DIMENSION, STYLE AND ACCESSORIES WITHOUT PRIOR NOTIFICATION.



ACTUAL SIZE



NOTES:

1. MATERIAL: COPPER ALLOY
2. PLATING: SILVER PLATING OVER NICKEL
3. TERMINATE CONTACT AFTER WIRE INSERTED THROUGH HOUSING
4. FOR USE IN 6P MINI SPEC PAK® ONLY
5. SOLDER CUP TERMINATION AVAILABLE UPON REQUEST

DIMENSIONS ARE IN:		MM [INCH]		<b>APPROVALS</b>		<b>ANDERSONPOWER™</b>		
UNLESS OTHERWISE STATED								
TOLERANCES:				DRAWN		TITLE		
DECIMALS (INCH)	DECIMALS (MM)	ANGLES		AJL	12/28/2023			
.XX ± .02	.X ± .5	±2°		CHECKED		6P MINI SPEC PAK® #8 AWG [10MM²] POWER PIN		
SURFACE FINISH:				CD	5/14/2024			
MACHINED 3.2µ [128µin] ✓				MKT APPRV		COA		
MOLDED 1.6µ [64µin] ✓				CM	5/16/2024			4357
MATERIAL:				QC APPRV		PROD. LINE		
*****				MV	5/23/2024			SPEC PAK
FINISH:				ENG APPRV		SIZE	DWG NO.	
				SH	5/22/2024	A	116202S1	0
				-CAD GENERATED DRAWING- DO NOT MANUALLY UPDATE DO NOT SCALE		SCALE	CADFILE	SHEET
						NONE	06286	1 OF 1

REV.	DESCRIPTION	APPRV	DATE
REVISIONS			