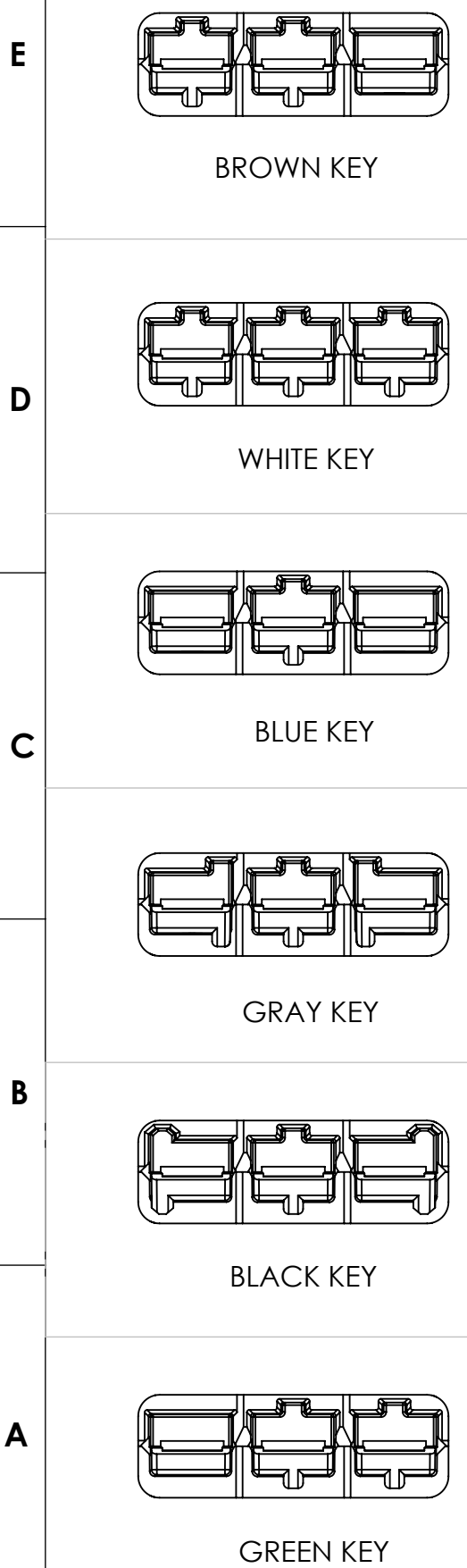
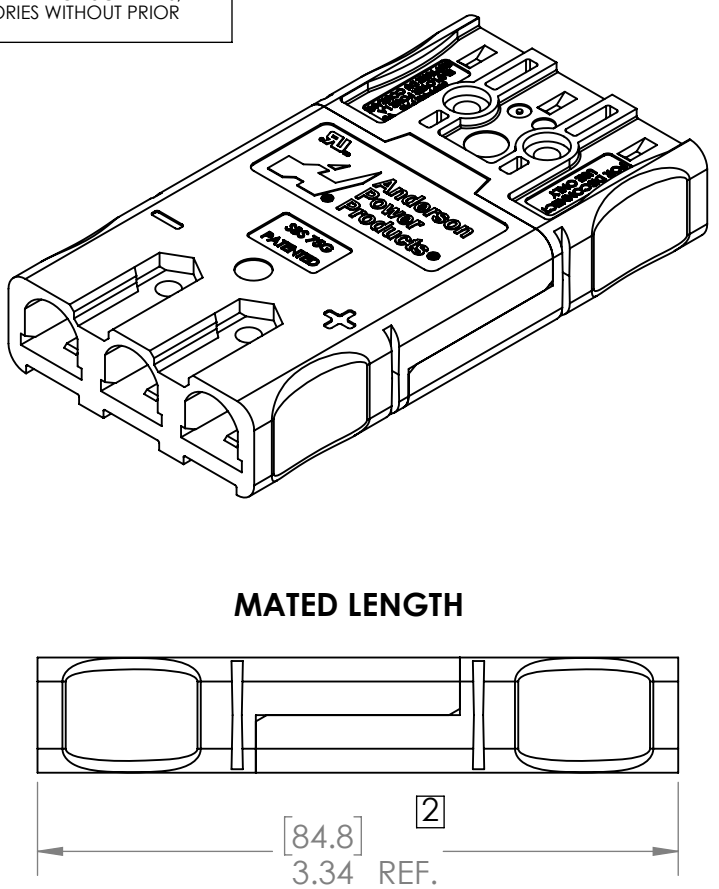
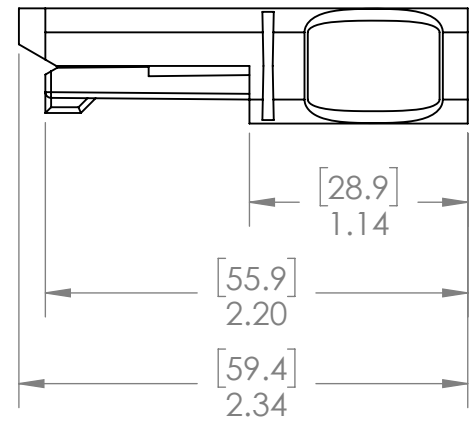
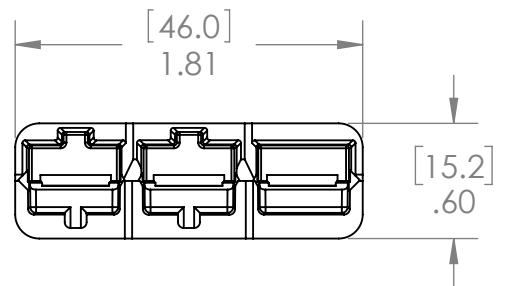
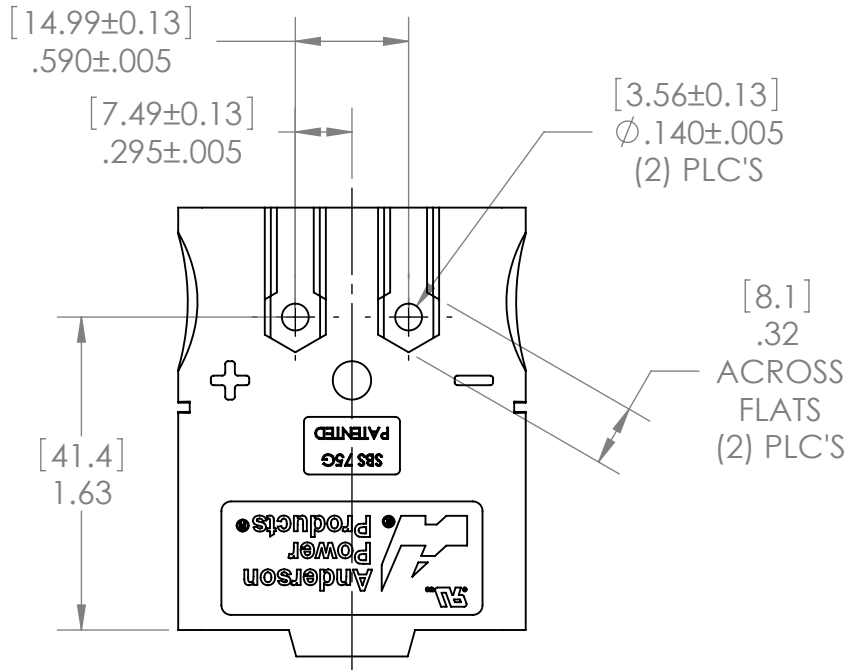
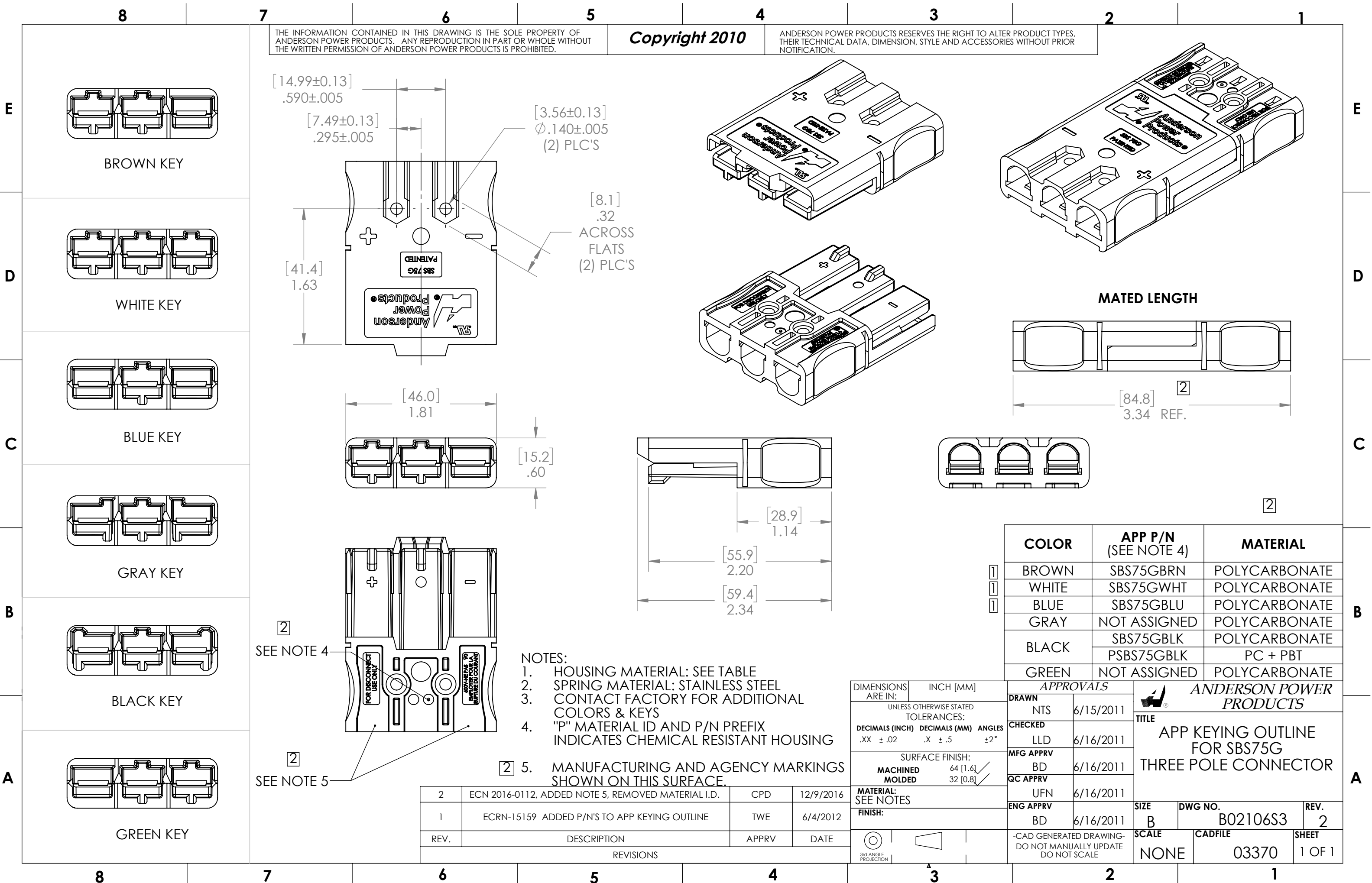


THE INFORMATION CONTAINED IN THIS DRAWING IS THE SOLE PROPERTY OF ANDERSON POWER PRODUCTS. ANY REPRODUCTION IN PART OR WHOLE WITHOUT THE WRITTEN PERMISSION OF ANDERSON POWER PRODUCTS IS PROHIBITED.

Copyright 2010

ANDERSON POWER PRODUCTS RESERVES THE RIGHT TO ALTER PRODUCT TYPES, THEIR TECHNICAL DATA, DIMENSION, STYLE AND ACCESSORIES WITHOUT PRIOR NOTIFICATION.



2 SEE NOTE 4

2 SEE NOTE 5

- NOTES:
1. HOUSING MATERIAL: SEE TABLE
 2. SPRING MATERIAL: STAINLESS STEEL
 3. CONTACT FACTORY FOR ADDITIONAL COLORS & KEYS
 4. "P" MATERIAL ID AND P/N PREFIX INDICATES CHEMICAL RESISTANT HOUSING
 5. MANUFACTURING AND AGENCY MARKINGS SHOWN ON THIS SURFACE.

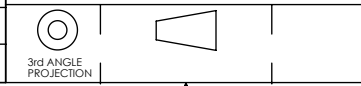
COLOR	APP P/N (SEE NOTE 4)	MATERIAL
BROWN	SBS75GBRN	POLYCARBONATE
WHITE	SBS75GWHT	POLYCARBONATE
BLUE	SBS75GBLU	POLYCARBONATE
GRAY	NOT ASSIGNED	POLYCARBONATE
BLACK	SBS75GBLK	POLYCARBONATE
	PSBS75GBLK	PC + PBT
GREEN	NOT ASSIGNED	POLYCARBONATE

DIMENSIONS ARE IN:	INCH [MM]
UNLESS OTHERWISE STATED TOLERANCES:	
DECIMALS (INCH)	DECIMALS (MM) ANGLES
.XX ±.02	.X ±.5 ±2°
SURFACE FINISH:	
MACHINED	64 [1.6]
MOLDED	32 [0.8]
MATERIAL: SEE NOTES	
FINISH:	

APPROVALS	
DRAWN	NTS 6/15/2011
CHECKED	LLD 6/16/2011
MFG APPRV	BD 6/16/2011
QC APPRV	UFN 6/16/2011
ENG APPRV	BD 6/16/2011

ANDERSON POWER PRODUCTS		
TITLE		
APP KEYING OUTLINE FOR SBS75G THREE POLE CONNECTOR		
SIZE	DWG NO.	REV.
B	B02106S3	2
SCALE	CADFILE	SHEET
NONE	03370	1 OF 1

REV.	DESCRIPTION	APPRV	DATE
2	ECN 2016-0112, ADDED NOTE 5, REMOVED MATERIAL I.D.	CPD	12/9/2016
1	ECRN-15159 ADDED P/N'S TO APP KEYING OUTLINE	TWE	6/4/2012



-CAD GENERATED DRAWING-
DO NOT MANUALLY UPDATE
DO NOT SCALE