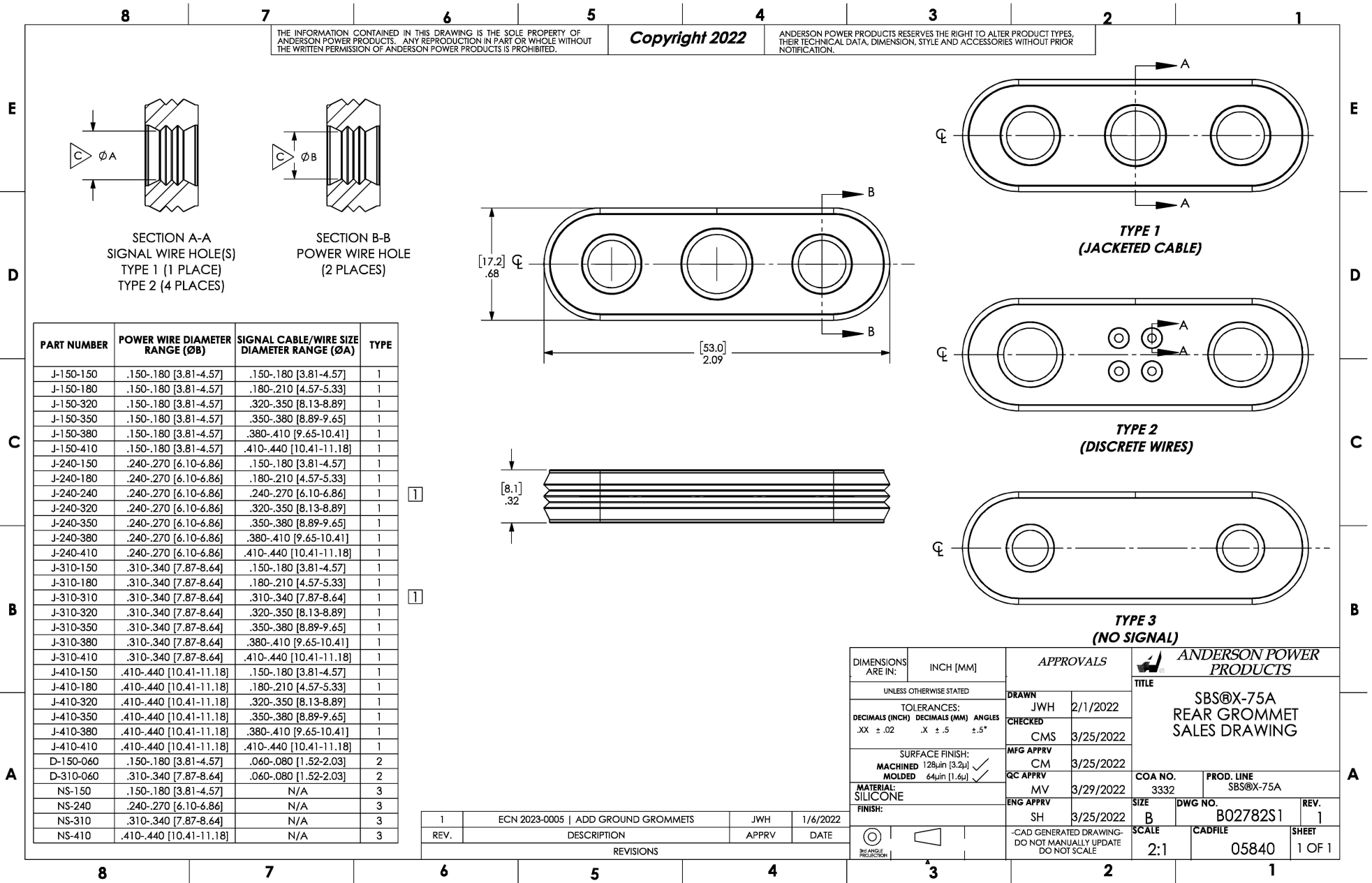


THE INFORMATION CONTAINED IN THIS DRAWING IS THE SOLE PROPERTY OF ANDERSON POWER PRODUCTS. ANY REPRODUCTION IN PART OR WHOLE WITHOUT THE WRITTEN PERMISSION OF ANDERSON POWER PRODUCTS IS PROHIBITED.

Copyright 2022

ANDERSON POWER PRODUCTS RESERVES THE RIGHT TO ALTER PRODUCT TYPES, THEIR TECHNICAL DATA, DIMENSION, STYLE AND ACCESSORIES WITHOUT PRIOR NOTIFICATION.



DIMENSIONS ARE IN:	INCH [MM]	APPROVALS		ANDERSON POWER PRODUCTS	
UNLESS OTHERWISE STATED		DRAWN	JWH	2/1/2022	TITLE SBS@X-75A REAR GROMMET SALES DRAWING
TOLERANCES: DECIMALS (INCH) DECIMALS (MM) ANGLES		CHECKED	CMS	3/25/2022	
.XX ± .02 .X ± .5 ± .5°		MFG APPRV	CM	3/25/2022	
SURFACE FINISH: MACHINED 128µin [3.2µ] ✓ MOLDED 64µin [1.6µ] ✓		QC APPRV	MV	3/29/2022	
MATERIAL: SILICONE		ENG APPRV	SH	3/25/2022	COA NO. 3332
FINISH:				PROD. LINE SBS@X-75A	
1 ECN 2023-0005 ADD GROUND GROMMETS		JWH	1/6/2022	SIZE B	DWG NO. B02782S1
REV.	DESCRIPTION	APPRV	DATE	SCALE 2:1	CADFILE 05840
REVISIONS				CAD FILE	SHEET 1 OF 1

