

8

7

6

5

4

3

2

1

THE INFORMATION CONTAINED IN THIS DRAWING IS THE SOLE PROPERTY OF ANDERSON POWER PRODUCTS. ANY REPRODUCTION IN PART OR WHOLE WITHOUT THE WRITTEN PERMISSION OF ANDERSON POWER PRODUCTS IS PROHIBITED.

Copyright 2022

ANDERSON POWER PRODUCTS RESERVES THE RIGHT TO ALTER PRODUCT TYPES, THEIR TECHNICAL DATA, DIMENSION, STYLE AND ACCESSORIES WITHOUT PRIOR NOTIFICATION.

KIT PART NUMBER

KITS DESCRIPTION

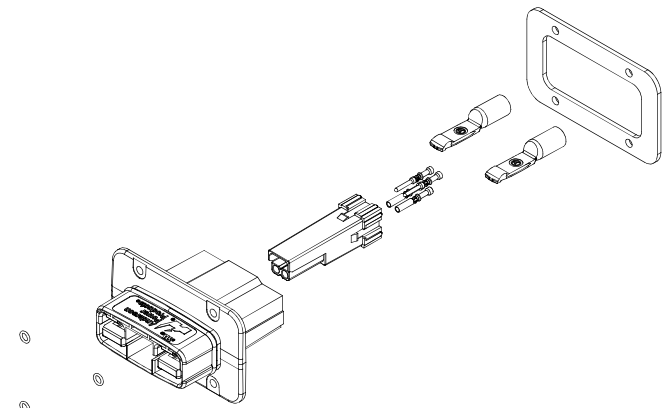
SBSX75A-PMPLUG-KIT-RED

SBSX75A-PMPLUG-KIT-BLU

SBSX75A-PMPLUG-KIT-GRA

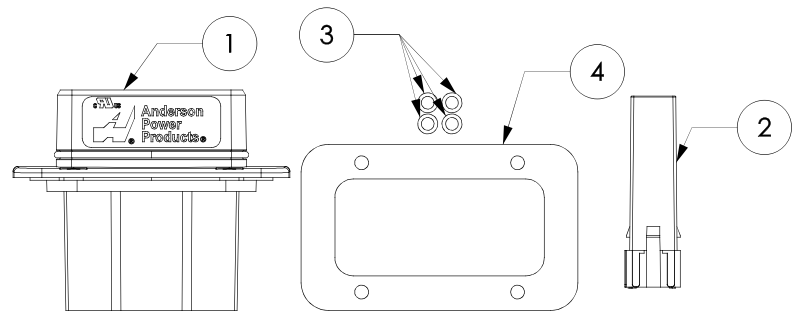
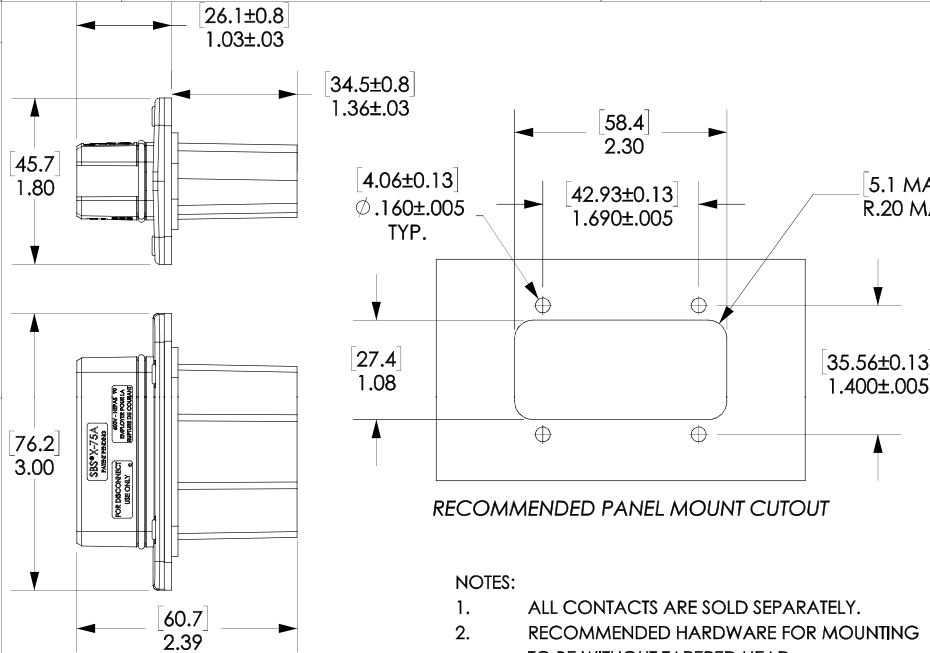
SBSX75A-PMPLUG-KIT-BLK

CONNECTOR KITS CONTAINING THE CONNECTOR ASSEMBLY, SIGNAL HOLDER, PANEL GASKET AND O-RINGS FOR MOUNTING HARDWARE. KIT PART NUMBER IS UNIQUE TO THE COLOR OF THE SIGNAL HOUSING.



EXPLODED VIEW OF FULL ASSEMBLY SCALE 1:3

ITEM NUMBER	COMPONENT PART NUMBER				MATERIAL	PART DESCRIPTION	QTY
1	SBSX75A-PMPLUG-BLK				PC/PBT	PANEL MOUNT PLUG HOUSING	1
2	2-8840P1	2-8840P2	2-8840P3	2-8840P4	PC	SIGNAL CONTACT HOUSING	1
COLOR	(RED)	(BLUE)	(GRAY)	(BLACK)	-	-	-
3	115233P14				SILICONE	HARDWARE O-RINGS	4
4	116008P1				NBR	PANEL MOUNT GASKET	1



DIMENSIONS ARE IN:	INCH [MM]		APPROVALS	
UNLESS OTHERWISE STATED			DRAWN	JWH 2/1/2022
TOLERANCES:			CHECKED	CMS 3/11/2022
DECIMALS (INCH)	DECIMALS (MM)	ANGLES	PM APPR	CM 3/22/2022
.XX ± .02	.X ± .5	±2°	QC APPR	UFN 3/25/2022
SURFACE FINISH:			ENG APPR	SH 3/11/2022
MACHINED	128µin [3.2µ]	✓		
MOLDED	64µin [1.6µ]	✓		
MATERIAL:	SEE TABLE			
FINISH:				

ANDERSON POWER PRODUCTS		
TITLE		
SEALED SBS@X - 75A PANEL MOUNT PLUG CONNECTOR		
COA	PROD. LINE	
3332	SBS@X-75A	
SIZE	DWG NO.	REV.
A	115991S1	0
SCALE	CADFILE	SHEET
NONE	05478	1 OF 1

REV.	DESCRIPTION	APPRV	DATE
REVISIONS			

8

7

6

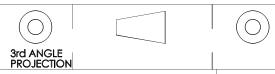
5

4

3

2

1



-CAD GENERATED DRAWING- DO NOT MANUALLY UPDATE DO NOT SCALE