

8

7

6

5

4

3

2

1

THE INFORMATION CONTAINED IN THIS DRAWING IS THE SOLE PROPERTY OF ANDERSON POWER PRODUCTS. ANY REPRODUCTION IN PART OR WHOLE WITHOUT THE WRITTEN PERMISSION OF ANDERSON POWER PRODUCTS IS PROHIBITED.

Copyright 2022

ANDERSON POWER PRODUCTS RESERVES THE RIGHT TO ALTER PRODUCT TYPES, THEIR TECHNICAL DATA, DIMENSION, STYLE AND ACCESSORIES WITHOUT PRIOR NOTIFICATION.

KIT PART NUMBER

KITS DESCRIPTION

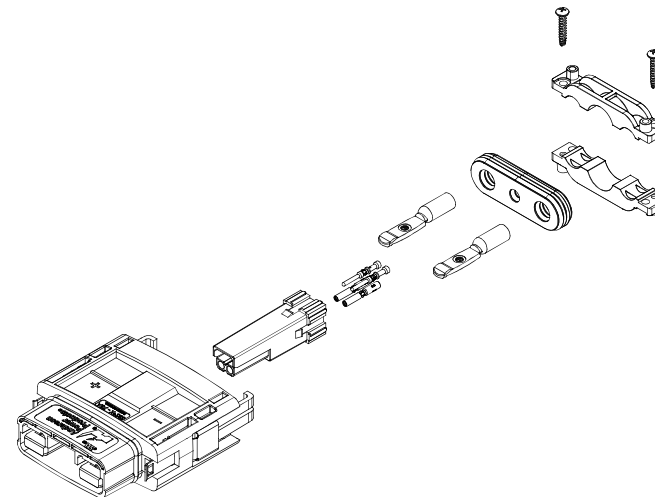
SBSX75A-PLUG-KIT-RED

SBSX75A-PLUG-KIT-BLU

SBSX75A-PLUG-KIT-GRA

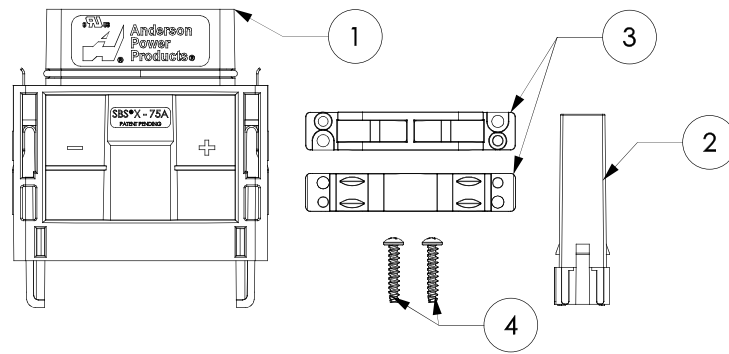
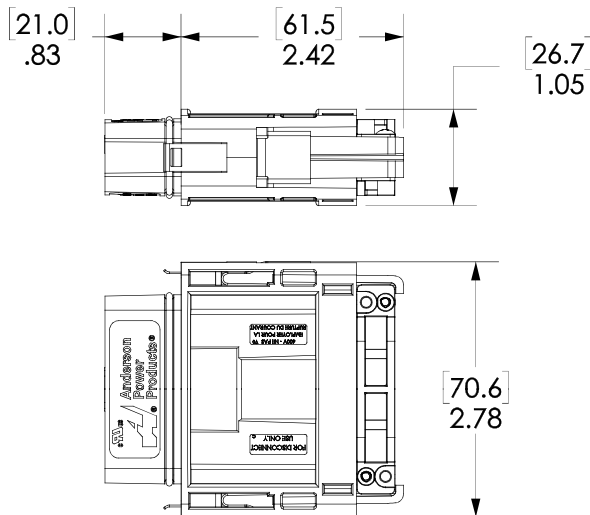
SBSX75A-PLUG-KIT-BLK

CONNECTOR KITS CONTAINING THE CONNECTOR ASSEMBLY, SIGNAL HOLDER, CABLE CLAMPS AND CLAMP SCREWS. KIT PART NUMBER IS UNIQUE TO THE COLOR OF THE SIGNAL HOUSING.



EXPLODED VIEW OF FULL ASSEMBLY SCALE 1:3

ITEM NUMBER	COMPONENT PART NUMBER				MATERIAL	PART DESCRIPTION	QTY
1	SBSX75A-PLUG-BLK				PC/PBT	PLUG HOUSING WITH LATCHES & O-RING	1
2	2-8840P1	2-8840P2	2-8840P3	2-8840P4	PC	SIGNAL CONTACT HOUSING	1
COLOR	(RED)	(BLUE)	(GRAY)	(BLACK)	-	-	-
3	2-8841P1				PC/PBT	CABLE CLAMPS	2
4	H1120P62				STAINLESS TEEL	CABLE CLAMP SCREWS	2



- NOTES:
 1. ALL CONTACTS ARE TO BE SOLD SEPARATELY.
 2. SEALING GROMMET SOLD SEPARATELY.

DIMENSIONS ARE IN: INCH [MM]		APPROVALS		ANDERSON POWER PRODUCTS	
UNLESS OTHERWISE STATED		DRAWN JWH 2/1/2022		TITLE SEALED SBS@X - 75A PLUG CONNECTOR	
TOLERANCES: DECIMALS (INCH) DECIMALS (MM) ANGLES .XX ± .02 .X ± .5 ± 2°		CHECKED CMS 3/11/2022		PROD. LINE SBS@X-75A	
SURFACE FINISH: MACHINED 128µin [3.2µ] ✓ MOLDED 64µin [1.6µ] ✓		PM APPRV CM 3/22/2022		COA 3332	
MATERIAL: SEE TABLE		QC APPRV MV 3/22/2022		SIZE A	
FINISH:		ENG APPRV JYL 3/22/2022		DWG NO. 115986S1	
3rd ANGLE PROJECTION		-CAD GENERATED DRAWING- DO NOT MANUALLY UPDATE DO NOT SCALE		REV. 0	
		SCALE NONE		CADFILE 05465	
				SHEET 1 OF 1	

REV.	DESCRIPTION	APPRV	DATE
REVISIONS			

8

7

6

5

4

3

2

1