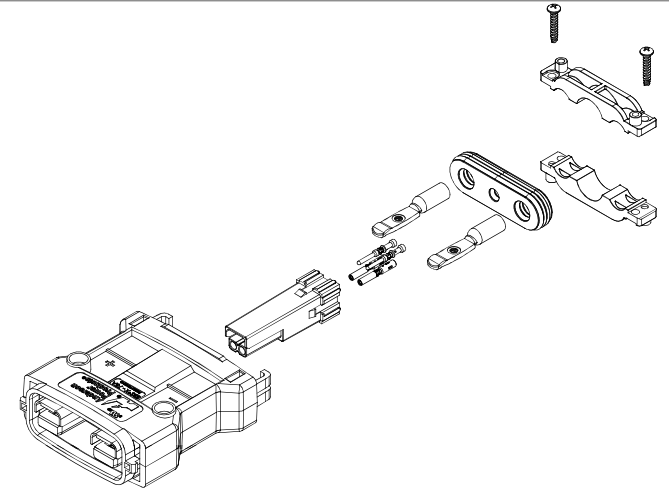


THE INFORMATION CONTAINED IN THIS DRAWING IS THE SOLE PROPERTY OF ANDERSON POWER PRODUCTS. ANY REPRODUCTION IN PART OR WHOLE WITHOUT THE WRITTEN PERMISSION OF ANDERSON POWER PRODUCTS IS PROHIBITED.

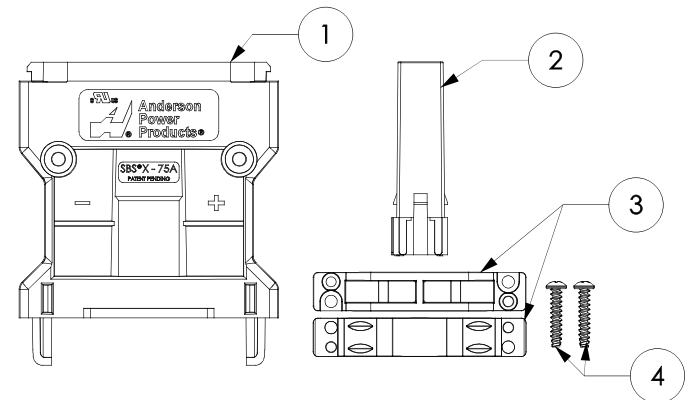
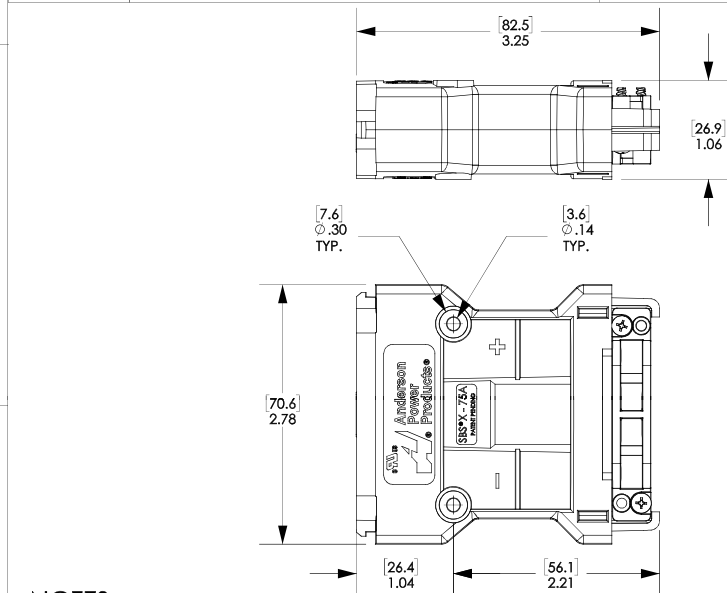
**Copyright 2022**

ANDERSON POWER PRODUCTS RESERVES THE RIGHT TO ALTER PRODUCT TYPES, THEIR TECHNICAL DATA, DIMENSION, STYLE AND ACCESSORIES WITHOUT PRIOR NOTIFICATION.

ITEM NUMBER	KIT PART NUMBER				MATERIAL	PART DESCRIPTION	QTY
	SBSX75A-REC-KIT-RED	SBSX75A-REC-KIT-BLU	SBSX75A-REC-KIT-GRA	SBSX75A-REC-KIT-BLK			
					<b>KITS DESCRIPTION</b>		
					CONNECTOR KITS CONTAINING THE CONNECTOR ASSEMBLY, SIGNAL HOLDER, CABLE CLAMPS AND CLAMP SCREWS. KIT PART NUMBER IS UNIQUE TO THE COLOR OF THE SIGNAL HOUSING.		
1	SBSX75A-REC-BLK				PC/PBT	RECEPTACLE HOUSING	1
2	2-8840P1	2-8840P2	2-8840P3	2-8840P4	PC	SIGNAL CONTACT HOUSING	1
COLOR	(RED)	(BLUE)	(GRAY)	(BLACK)	-	-	-
3	2-8841P1				PC/PBT	CABLE CLAMPS	2
4	H1120P62				STAINLESS STEEL	CABLE CLAMP SCREWS	2



EXPLODED VIEW OF FULL ASSEMBLY  
SCALE 1:3



- NOTES:**
- ALL CONTACTS ARE TO BE SOLD SEPARATELY.
  - SEALING GROMMET SOLD SEPARATELY.

REV.	DESCRIPTION	APPRV	DATE
REVISIONS			

DIMENSIONS ARE IN: INCH [MM]		<b>APPROVALS</b>		<b>ANDERSON POWER PRODUCTS</b>	
UNLESS OTHERWISE STATED					
TOLERANCES:			<b>DRAWN</b>	TITLE	
DECIMALS (INCH)	DECIMALS (MM)	ANGLES	JWH	SEALED SBS@X - 75A RECEPTACLE ASSEMBLY	
.XX ± .02	.X ± .5	±2°	CHECKED	3/11/2022	
SURFACE FINISH:			CMS	3/11/2022	
MACHINED 128µin [3.2µ]			PM APPRV	3/22/2022	
MOLDED 64µin [1.6µ]			CM	3/22/2022	
MATERIAL:			QC APPRV	COA	
SEE TABLE			MV	3332	
FINISH:			ENG APPRV	PROD. LINE	
			JYL	SBS@X-75A	
			3/22/2022	SIZE	DWG NO.
				A	115987S1
				SCALE	REV.
				NONE	0
				CADFILE	SHEET
				05466	1 OF 1