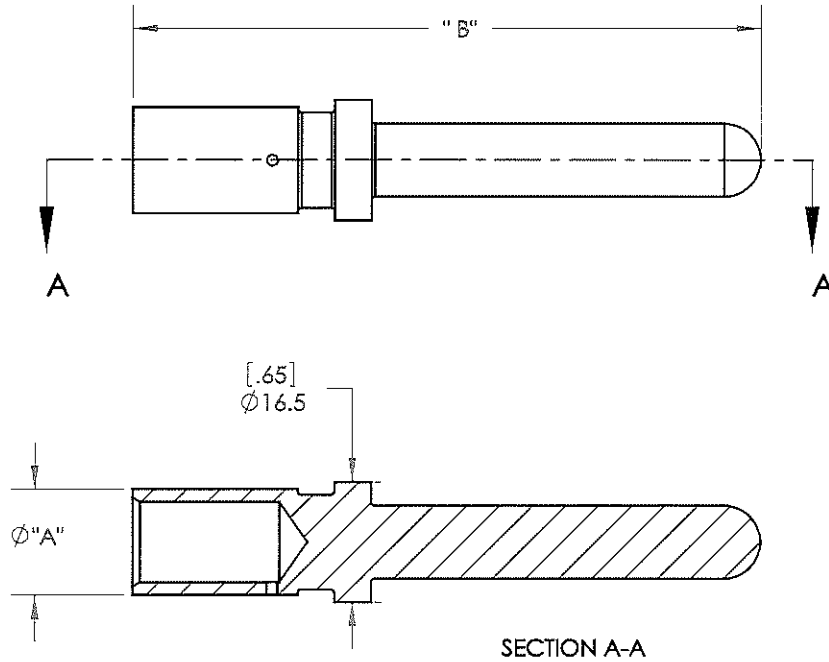
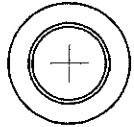


THE INFORMATION CONTAINED IN THIS DRAWING IS THE SOLE PROPERTY OF ANDERSON POWER PRODUCTS. ANY REPRODUCTION IN PART OR WHOLE WITHOUT THE WRITTEN PERMISSION OF ANDERSON POWER PRODUCTS IS PROHIBITED.

Copyright 2005

ANDERSON POWER PRODUCTS RESERVES THE RIGHT TO ALTER PRODUCT TYPES, THEIR TECHNICAL DATA, DIMENSION, STYLE AND ACCESSORIES WITHOUT PRIOR NOTIFICATION.



CAT. NO.	DESCRIPTION	"A"	"B"
320-1035	320A PIN (35 MM WIRE)	12.5[.49]	85.5[3.37]
320-1050	320A PIN (50MM OR 1/0 AWG WIRE)	14.5[.57]	85.5[3.37]
320-1070	320A PIN (70MM OR 2/0 AWG WIRE)	17.0[.67]	85.5[3.37]
320-1095	320A PIN (95MM OR 3/0 AWG WIRE)	19.8[.78]	90.5[3.56]
320-1004	320A PIN (4/0 AWG WIRE)	19.8[.78]	90.5[3.56]

DIMENSIONS ARE IN:	MM [INCH]
UNLESS OTHERWISE STATED	
TOLERANCES:	
DECIMALS (INCH)	DECIMALS (MM) ANGLES
.XX ± .040	X ± 1.0 ± 2°
SURFACE FINISH:	
MACHINED	3.2μ [128μin]
MOLDED	1.6μ [64μin]
MATERIAL:	
COPPER ALLOY	
FINISH:	
SILVER PLATE	

APPROVALS	
DRAWN AMP	5/13/2005
CHECKED DJD	5/17/2005
MFG APPRV CHB	5/13/2005
QC APPRV UFN	5/13/2005
ENG APPRV DAM	5/13/2005

ANDERSON POWER PRODUCTS			
TITLE			
EBC DIN CONTACT 320A PIN SALES OUTLINE			
SIZE A	DWG NO. 320-1000S1	REV. 3	
SCALE NONE	CADFILE 02309	SHEET 1 OF 1	

REV.	DESCRIPTION	APPRV	DATE
3	ECRN-15809 MATCH DWG TO PART	TWE	4/13/2015
2	ECRN-14085 COMBINE AWG AND METRIC	AMP	11/28/06
1	ECRN-13844 ADD 35MM INFORMATION TO TABLE	AMP	6/3/05
REVISIONS			