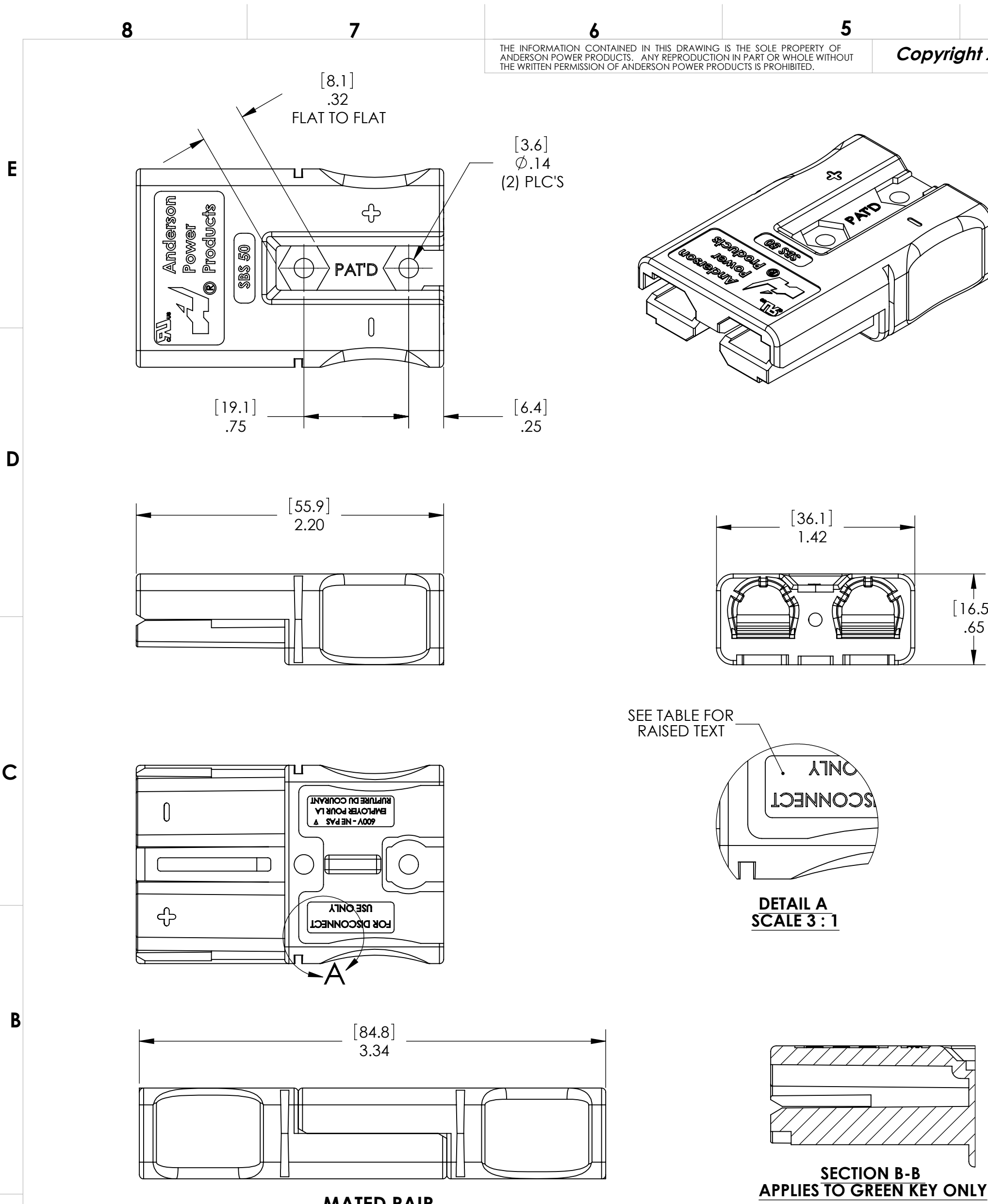


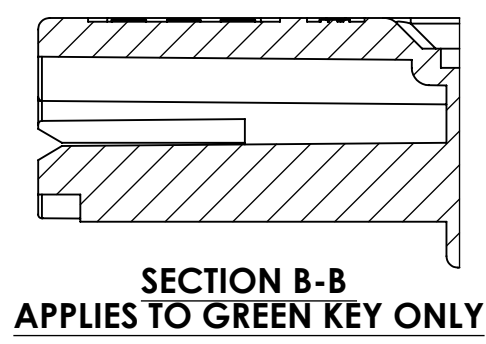
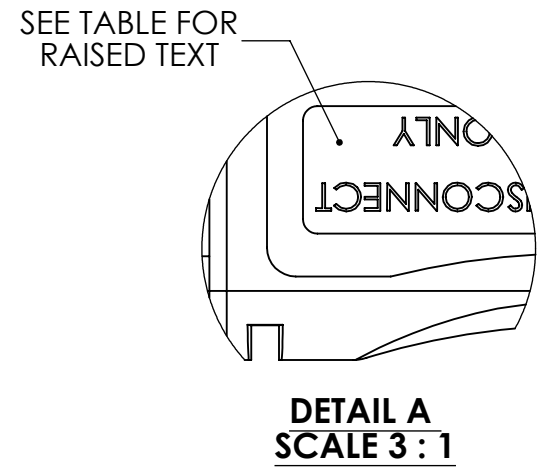
THE INFORMATION CONTAINED IN THIS DRAWING IS THE SOLE PROPERTY OF ANDERSON POWER PRODUCTS. ANY REPRODUCTION IN PART OR WHOLE WITHOUT THE WRITTEN PERMISSION OF ANDERSON POWER PRODUCTS IS PROHIBITED.

Copyright 2009

ANDERSON POWER PRODUCTS RESERVES THE RIGHT TO ALTER PRODUCT TYPES, THEIR TECHNICAL DATA, DIMENSION, STYLE AND ACCESSORIES WITHOUT PRIOR NOTIFICATION.



CAT.NO.	MAT'L	TEXT	KEYING CONFIGURATION	COLOR
SBS50GRA	PC	BLANK		GRAY
PSBS50GRA	PBT	"P"		GRAY
SBS50BLU	PC	BLANK		BLUE
PSBS50BLU	PBT	"P"		BLUE
SBS50BLK	PC	BLANK		BLACK
PSBS50BLK	PBT	"P"		BLACK
SBS50BRN	PC	BLANK		BROWN
PSBS50BRN	PBT	"P"		BROWN
SBS50RED	PC	BLANK		RED
PSBS50RED	PBT	"P"		RED
SBS50WHT	PC	BLANK		WHITE
PSBS50WHT	PBT	"P"		WHITE
SBS50GRN	PC	BLANK		GREEN
PSBS50GRN	PBT	"P"		GREEN



- NOTES:
1. SPRING/HOUSING ASSEMBLIES ARE cURus RECOGNIZED PER FILE E26226.
 2. HOUSINGS ARE KEYED TO ONLY ALLOW MATING WITH THE SAME COLOR HOUSING.
 3. FOR ASSEMBLY INSTRUCTIONS SEE DOCUMENT 1S1030A.
 4. HOUSING ASSEMBLIES ACCOMODATE ANDERSON CONTACTS FOR WIRE RANGE FROM #6 AWG TO #16 AWG.

REV.	DESCRIPTION OF CHANGES	APPROVED	DATE
6	ECRN 14598 - MODIFIED GREEN KEY, ADDED SECTION B-B	NTS	4/6/10
5	ECRN 14583 - ADDED GREEN KEY	CHB	03/10/10
4	ECRN 14391 - REDRAW, UPDATE BORDER, ADD TABLE	AMS	03/03/09

DIMENSIONS ARE IN:		APPROVALS		ANDERSON POWER PRODUCTS	
INCH[MM]		DRAWN	AGB 12/16/02	TITLE	SBS50 DUAL POLE SPRING & HOUSING
UNLESS OTHERWISE STATED		CHECKED	DJD 12/18/02	SIZE	C/A2
TOLERANCES:		MFG APP	DAM 12/19/02	DWG NO.	2-8467S1
DECIMALS (INCH)	DECIMALS (MM)	QC APP	RPO 12/18/02	REV.	6
.XX ± .02	.X ± .5	ENG APP	MAW 12/18/02	SCALE	NONE
SURFACE FINISH:		-CAD GENERATED DRAWING- DO NOT MANUALLY UPDATE DO NOT SCALE		CADFILE	01652
MACHINED	128 [3.2]			SHEET	1 of 1
MOLDED	64 [1.6]				
MATERIAL: SPRINGS - STAINLESS STEEL HOUSINGS - SEE TABLE					
FINISH:					