

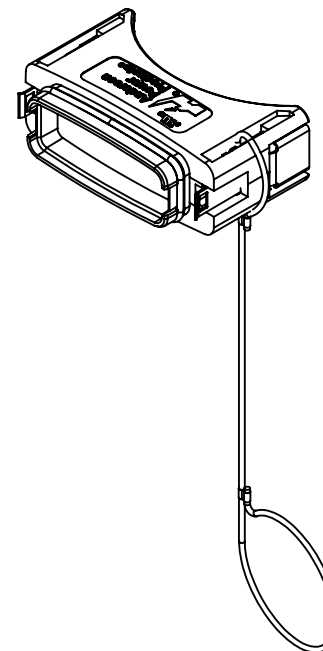
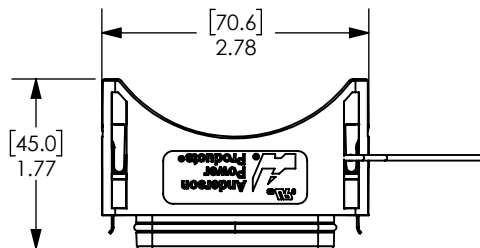
THE INFORMATION CONTAINED IN THIS DRAWING IS THE SOLE PROPERTY OF ANDERSON POWER PRODUCTS. ANY REPRODUCTION IN PART OR WHOLE WITHOUT THE WRITTEN PERMISSION OF ANDERSON POWER PRODUCTS IS PROHIBITED.

**Copyright 2022**

ANDERSON POWER PRODUCTS RESERVES THE RIGHT TO ALTER PRODUCT TYPES, THEIR TECHNICAL DATA, DIMENSION, STYLE AND ACCESSORIES WITHOUT PRIOR NOTIFICATION.

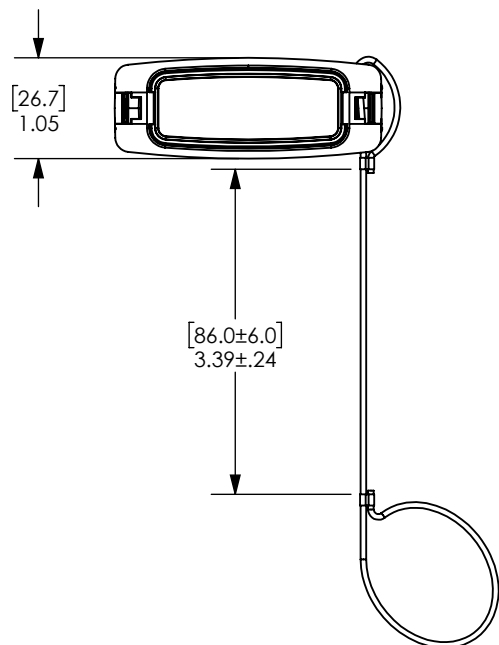
D

D



C

C



Assembly P/N	Description
SBSX75A-REC-COVER	SBS@X-75A RECEPTACLE COVER W/ LANYARD

B

B

A

A

**NOTES**

1. COVER AND LANYARD USE PER ASSEMBLY INSTRUCTIONS 1S6859

DIMENSIONS ARE IN:		INCH [MM]		<b>APPROVALS</b>		<b>ANDERSON POWER PRODUCTS</b>	
UNLESS OTHERWISE STATED							
TOLERANCES:				DRAWN	4/14/2022	TITLE SBS@X-75A RECEPTACLE COVER	
DECIMALS (INCH)	DECIMALS (MM)	ANGLES		CHECKED	4/22/2022		
.XX ± .02	.X ± .5	±2°		PM APPRV	4/25/2022		
SURFACE FINISH:				QC APPRV	4/26/2022	COA	PROD. LINE
MACHINED		128µin [3.2µ]	✓	MV		4408	SBS@X-75A
MOLDED		64µin [1.6µ]	✓	ENG APPRV	4/22/2022	SIZE	DWG NO.
MATERIAL:				SH		A	116093S1
PC/PBT W/ NYLON LANYARD				FINISH:		SCALE	CADFILE
				N/A		NONE	05900
				3rd ANGLE PROJECTION		SHEET	
						1 OF 1	

REV.	DESCRIPTION	APPRV	DATE
REVISIONS			