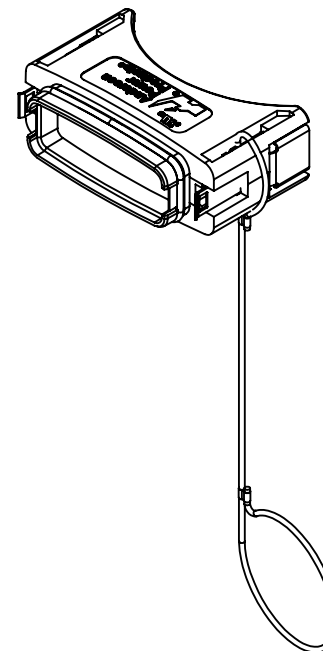
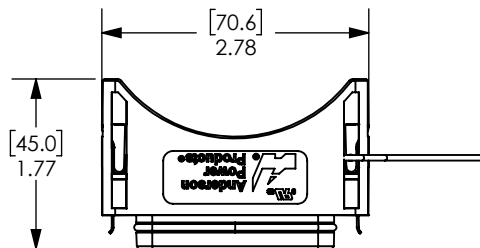


THE INFORMATION CONTAINED IN THIS DRAWING IS THE SOLE PROPERTY OF ANDERSON POWER PRODUCTS. ANY REPRODUCTION IN PART OR WHOLE WITHOUT THE WRITTEN PERMISSION OF ANDERSON POWER PRODUCTS IS PROHIBITED.

Copyright 2022

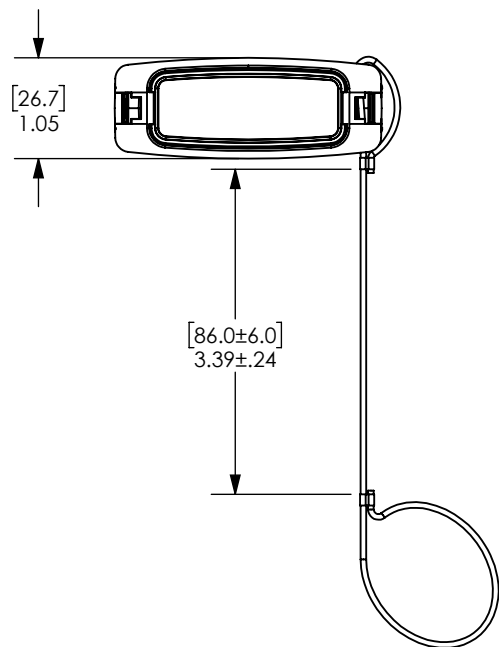
ANDERSON POWER PRODUCTS RESERVES THE RIGHT TO ALTER PRODUCT TYPES, THEIR TECHNICAL DATA, DIMENSION, STYLE AND ACCESSORIES WITHOUT PRIOR NOTIFICATION.

D



D

C



C

B

Assembly P/N	Description
SBSX75A-REC-COVER	SBS@X-75A RECEPTACLE COVER W/ LANYARD

B

A

NOTES
1. COVER AND LANYARD USE PER ASSEMBLY INSTRUCTIONS 1S6859

A

DIMENSIONS ARE IN:		INCH [MM]		APPROVALS		ANDERSON POWER PRODUCTS	
UNLESS OTHERWISE STATED							
TOLERANCES:				DRAWN	4/14/2022	TITLE SBS@X-75A RECEPTACLE COVER	
DECIMALS (INCH)	DECIMALS (MM)	ANGLES		CHECKED	4/22/2022		
.XX ± .02	.X ± .5	±2°		PM APPRV	4/25/2022		
SURFACE FINISH:				QC APPRV	4/26/2022	COA	PROD. LINE
MACHINED		128µin [3.2µ]	✓	MV		4408	SBS@X-75A
MOLDED		64µin [1.6µ]	✓	ENG APPRV	4/22/2022	SIZE	DWG NO.
MATERIAL:				SH		A	116093S1
PC/PBT W/ NYLON LANYARD				FINISH: N/A		SCALE	CADFILE
				-CAD GENERATED DRAWING- DO NOT MANUALLY UPDATE DO NOT SCALE		NONE	05900
				3rd ANGLE PROJECTION		SHEET	1 OF 1

REV.	DESCRIPTION	APPRV	DATE
REVISIONS			